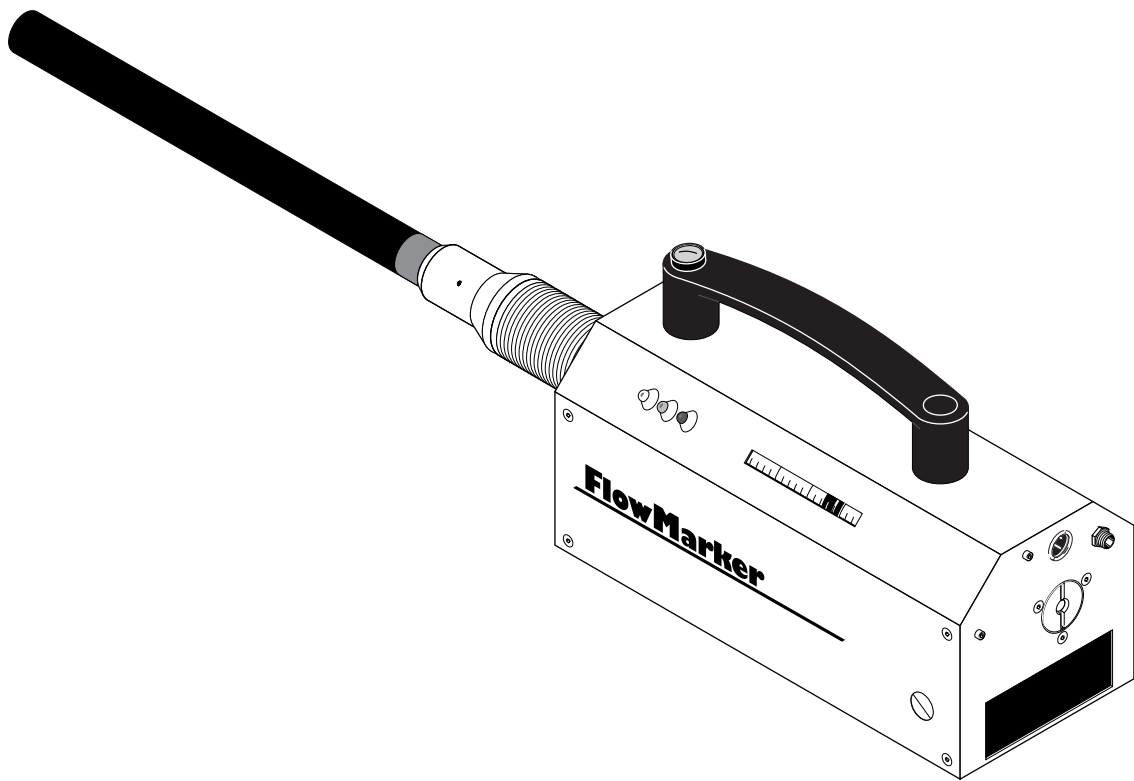




FlowMarker II



Instruction Manual

Gebrauchsanleitung 1.03

Dear SAFEX®-Customer!

Sehr geehrter SAFEX®-Kunde!

This instruction manual is bilingual; you will find the German version in the 2nd part. Questions regarding use and maintenance we are pleased to answer by phone or eMail.

Please read the safety instructions before use.

Diese Gebrauchsanleitung ist zweisprachig, die deutsche Version finden Sie im 2. Teil. Fragen zur Anwendung beantworten wir gerne auch per Telefon oder E-Mail.

Die Sicherheitshinweise sollten vor Gebrauch unbedingt gelesen werden!

DISTRIBUTOR / VERTRIEB:

Tintschl BioEnergie und Strömungstechnik AG

Goerdeler Straße 21 · D-91058 Erlangen

Tel: +49 (0) 91 31- 81 24 97 30 · Fax: +49 (0) 91 31 / 81 24 97 39

e-mail: best@tintschl.de

MANUFACTURER / HERSTELLER:

GÜNTHER SCHAIDT SAFEX® CHEMIE GMBH

D-22869 Schenefeld · Blankeneser Chaussee 26/32

Tel.: +49 (0) 40-83 92 11-0 · Fax: +49 (0) 40-830 14 52

e-mail: info@safex.de

COPYRIGHT 2001/2012 by GÜNTHER SCHAIDT SAFEX® CHEMIE GMBH

Jeder Nachdruck und jede – fototechnische - Vervielfältigung, auch über elektronische Verfahren, ist nur mit Zustimmung des Copyright-Inhabers zulässig.

SAFEX[®]

FLOWMARKER II

INSTRUCTION MANUAL

This instruction manual, the MSDS for the Fog-Fluid and other data sheets are available as PDF downloads at several homepages; the most actual versions are available at:

- www.tintschl-best.de

Deutsche Gebrauchsanweisung beginnt auf Seite 20

TABLE OF CONTENTS

ILLUSTRATIONS AND DESCRIPTION OF COMPONENTSS. 5 + 6

Instruction Manual

A	System description	7
B	Preparing device for operation	8
C	Using FlowMarker	10
D	Maintenance and care	13
E	Storage and transportation.....	15
F	Safety instructions	16
G	Optional accessory.....	18
H	Technical data	19

FLOWMARKER II

Figure 1
Abb. 1

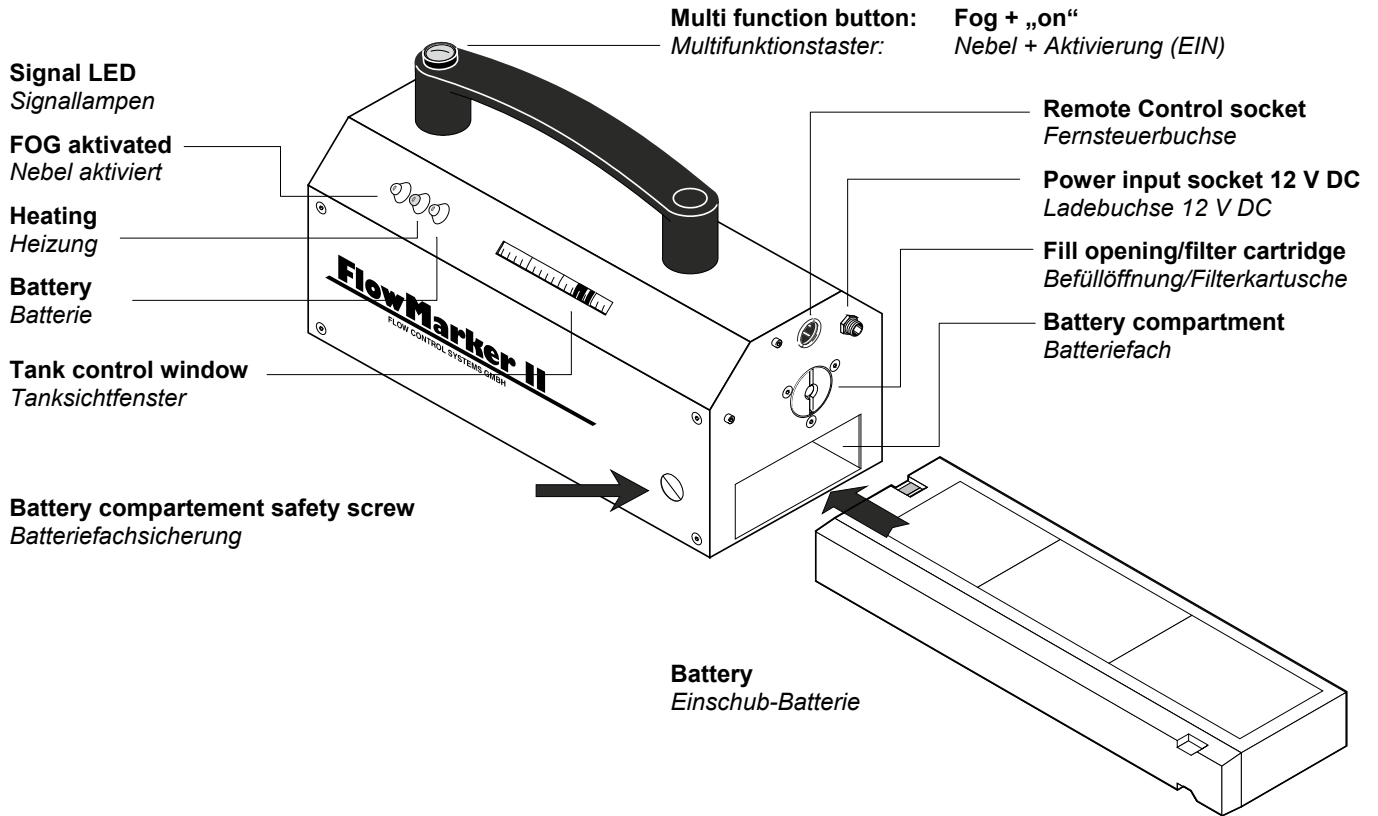
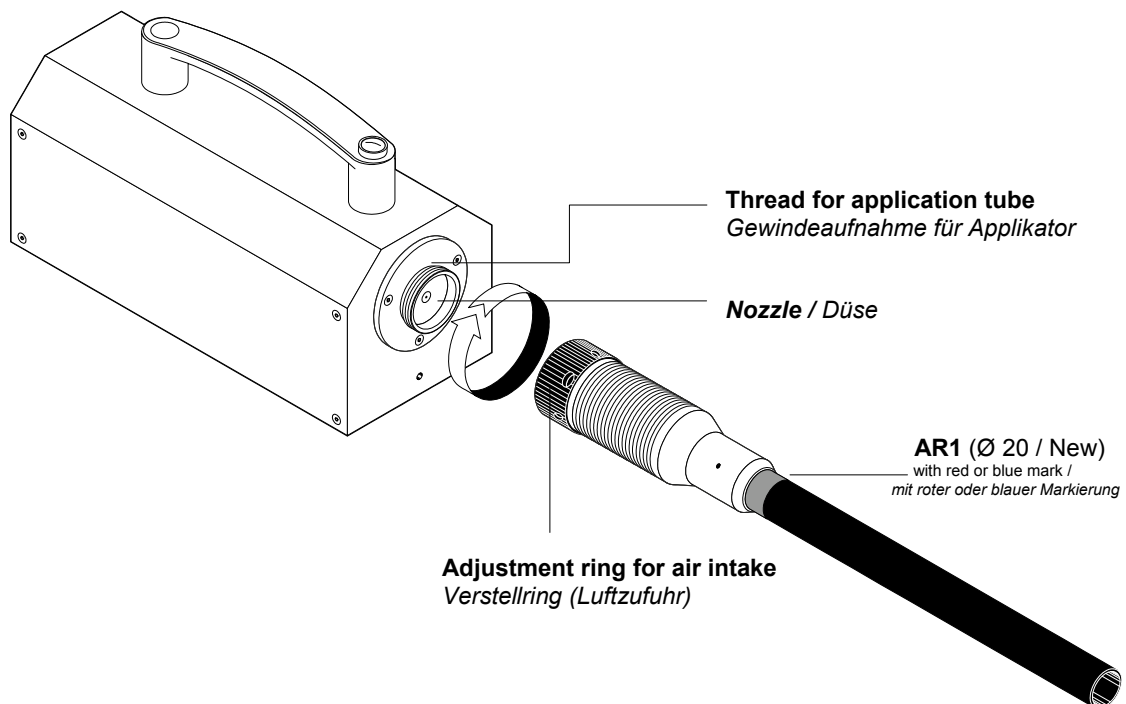


Figure 2 / Abb. 2

Use with application tube AR1 (Ø 20 / New)

Verwendung mit Applikatorrohr AR 1-Neu



FLOWMARKER II

Figure 3 / Abb. 3

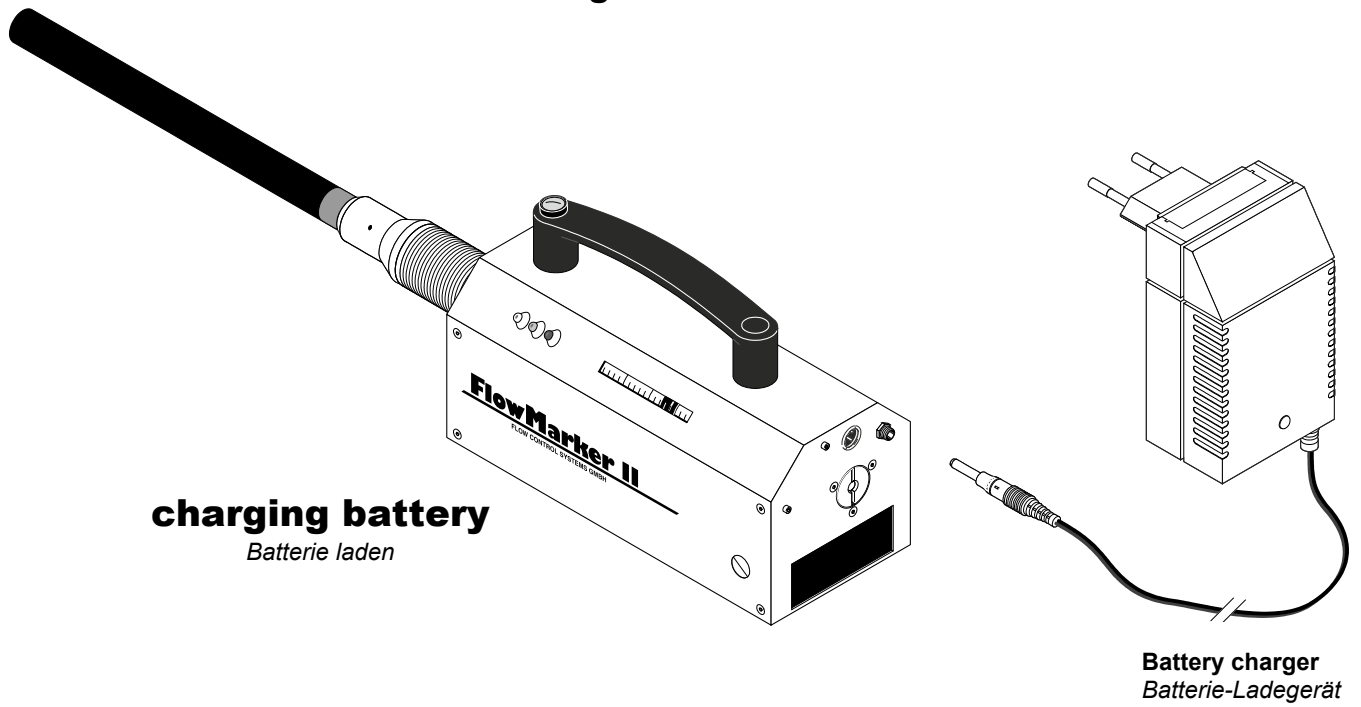
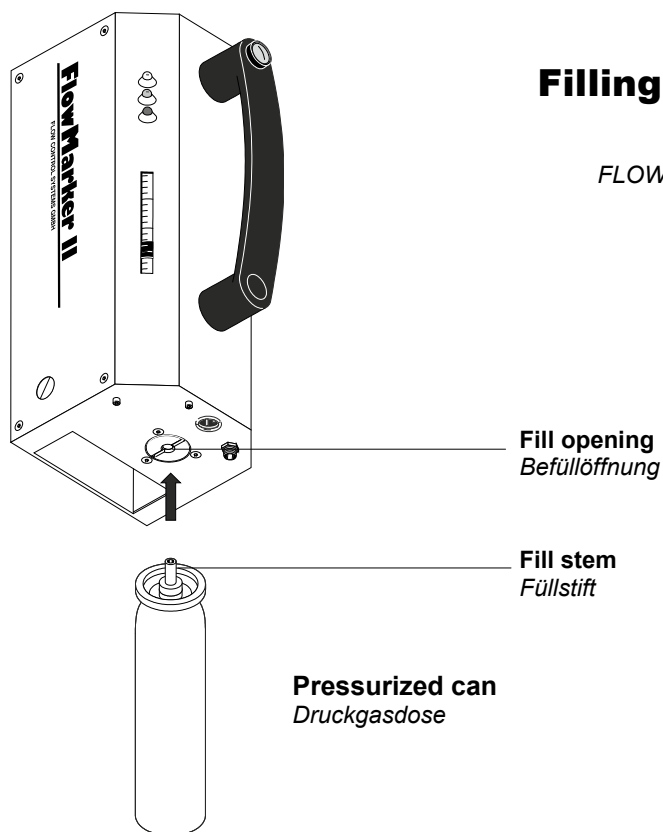


Figure 4 / Abb. 4
Filling FLOW MARKER with FOG FLUID

FLOWMARKER mit FOGFLUID befüllen



SAFEX®-FLOWMARKER-II

For best use in all fields of application of the **SAFEX®-FlowMarker® Model II**, it is recommended to read this instruction carefully even **if one is already familiar with the previous model**.



This instruction manual is to be supplemented if necessary with the instructions of each ancillary used, optional **FlowMarker®** accessory.

The safety instructions and all sections marked with the attention sign are especially important and should be given particular consideration.

MODIFICATIONS TO PREVIOUS MODEL

The **SAFEX®-FlowMarker® Model II** has been **considerably improved** compared to its predecessor:

- The functions of the device are now **controlled by a microprocessor**, which allows improved operation, equipped with more features!
- The unit now contains as **standard a remote control socket** for instant connection with a remote control.
- The activation of the **FOG FLOW** will now be done by **an ON/OFF Switching** (Switching function, no longer touch function). The fog flow is now **turned on by a short push onto the blue FOG-button** and as well shut off by pressing the button again, in the same way as it has to be done with the new remote control's.
- Due to the new, integrated **microprocessor** the device automatically switches into the so-called **ENERGY-SAVING -MODE** for saving some battery capacity **if no fog production is been done**. It further will be switched into the so-called **SLEEP MODE** when continuously not be used and finally - after a longer non-use - the unit turns itself off completely.
- The battery capacity is spared in this way, the unit will remain longer ready for use **and also a harmful deep discharge of the battery is prevented**.
- The **SLEEP MODE** ensures that the unit uses very little battery power, but it **remains active for remote control**.
- In addition to the automatic shutdown after prolonged non-use or lack of battery power, the device is now also equipped with a **manual shut-off function**, with which it can be turned off at any time completely.
- In addition, the new **MODEL II** is optimized for **new accessories**.

A SYSTEM DESCRIPTION

The **SAFEX®-FlowMarker® Fog Generator** was especially developed for the visualization and photographic documentation of slow and weak airflows in the fields of science and technology. Fog is produced with the world's unique and completely harmless **SAFEX®** theatrical fog fluids.

The generation of **low-impulse, thermal neutral fog** helps to solve even very difficult problems of airflow visualization.

In areas with a calm airflow, even small cavities can be filled with fog. This fog, as if flowing like water, forms a "fog lake" on the surface where even very weak airflows can be recognized.

Furthermore, new, additional system components, such as the **FM-HYDRA-TUBE SYSTEM®** are available which makes it now possible, to insert the fog for example via hoses

or by means of different probes, fog screens, etc. into difficult places or in a special way into air-flows, machinery etc. (See for this section „G“ OPTIONAL ACCESSORIES).

The FlowMarker basic equipment consists of:

- the FlowMarker®-Device itself,
- one Plug-in Battery (12V, 2.0Ah/20HR, type LC-TA122PU)
- one unscrewable Fog Application Tube, type AR1
- one pressurized aerosol-can FlowMarker®-Fog Fluid (fogging agent)
- 5 Condensation Absorbing Rings, each type KR3 and KR2 (two in the application tube)
- one Plastic Tube for removing condensation absorbing ring KR3
- a low voltage POWER SUPPLY 12 V = (1 A, 100 - 240 V ≈ ↔12 VA ⇒) for charging the battery inside the device, together with 4 international wall outlet adapters
- the User Manual
- and the FlowMarker®-Carrying Case with compartments.

SYSTEM COMPONENTS

B PREPARING DEVICE FOR OPERATION

Before first use, check the device together with its accessories (carrying case content) with regard to **intactness and completeness** of the standard parts. **Immediately report any damages or missing parts to the supplier or the supplier's service office.**

The FlowMarker® is delivered de-aerated and **with the tank approximately half full** of fog fluid for a quick starting test.

GENERAL

- a. Place the fog fluid aerosol can upright on a solid base. Remove the valve protection cap. Hold the can with one hand. (A filling is possible only with the **valve pin (stem) pointing vertically upwards**, but not in horizontal or another position of the can!)
- b. Hold the FlowMarker® by its handle, with the fog outlet pointing up. Fit the fill opening at the back of the device onto the **valve stem of the can**. Make sure to hold the device upright, with the **tank control window being visible**.
- c. Press the can slightly against the device to inject the fog fluid from the can into the device.

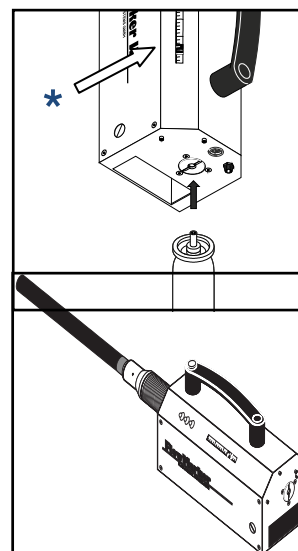
Important: No dust or dirt particles must get into the fill opening.

- d. The filling procedure is visible in the tank control window. The tank piston with the **yellow mark moves** towards the back of the device.

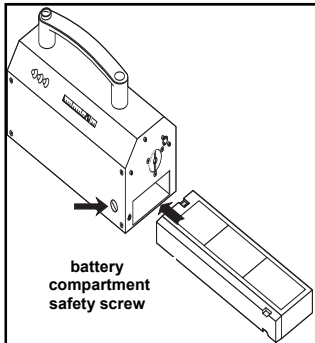
The filling procedure **has to be stopped when the yellow mark has moved along 80 % of the window***, respectively **has reached its red zone**. Do not **overfill the tank** under any circumstances!

- e. Pull the valve stem out of the fill opening. Put the valve protecting cap onto the can. Prevent filling parts from getting dirty!
- f. Remove possible fluid remainders from the fill opening with a paper towel. (**SAFEX® FOG FLUID** is non-toxic and harmless and bears no hazards.)

FILLING OPERATION



INSERTING BATTERY



The **insert battery is delivered with a partial charge** for the initial test of the device. We recommend **to entirely charge the battery** before continuous use (see also chapter „D“ MAINTENANCE + CARE).

- a. To place the battery in the device, first loosen **the battery compartment safety screw** (see illustration) with a screwdriver counter-clockwise just one or two turns until the screw head corresponds with the outer surface of the device's housing. **Stop if there is noticeable resistance, do not use force**, this may damage the battery compartment.
- b. Now push the battery into the battery compartment (see illustration) with contacts first and inscription **LONG™** pointing up **until the battery audibly and noticeably clicks into place**.
- c. Now fasten the battery securing screw by turning it clockwise; **again, stop if there is noticeable resistance**.
- d. This operation is necessary to prevent the battery from falling out. By no means **let the lead-acid battery fall out of the device** as it might break and corrosive acid might escape.
- e. The FlowMarker is **now ready for operation**.



If the battery is empty it has to be charged* with the battery charger, **the red LED “BATTERY” first flashes, afterwards it lights up permanently.** (*See for this section „D“ MAINTENANCE AND CARE „Charging the battery“.)

In this way the user can recognize early on that a recharging of the battery is impending, one can therefore usually performing its current investigation until to its final end.

If the **red LED lights up permanently**, there is a **remaining battery capacity** of approximately **2 - 6 minutes** for producing fog depending on the battery-conditions. After that, the unit turns off itself completely to protect the battery against deep discharge.

NOTE: A short flash of all LED's happens when switching the power **ON** or **OFF**, it is a signal monitoring. In these cases, the brief flash of the red LED is no sign of a battery defect.

DE-AERATING FLUIDWAYS

For optimum performance, de-aerate the fluid ways in the device **after every refill**.

- a. Activate and heat up the **FlowMarker®** by pushing the blue fog button, the green LED will flash.
- b. The heating-up takes about 30 seconds when the device is cold. **After complete heat-up**
(green LED “Ready” lights up **permanently!**)

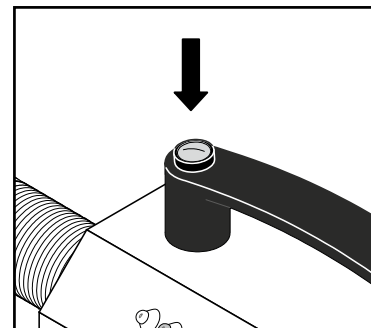
hold the device vertically, with its nozzle or application tube pointing up. Press the fog button shortly to start the fog production (white LED lights up) for about 45 seconds, until the fog comes out evenly. A pushing of the blue button stops the fog production than.

De-aerating can only be carried out in upward direction!

C USING FLOWMARKER II

- The device should be equipped with a **charged battery**, the **application tube** and filled with an appropriate amount of fog fluid.
- Start device by short pressing of the **blue button**, the 3 LED's flash up briefly. The device starts the heating operation (recognizable by the increased flashing of the Green LED), until it reaches the **operating temperature** after approximately 20 to 30 seconds. This is recognizable by a **permanent lighting up of the green LED**.
- The device is now ready for use. Fog can be created now within the next 2 minutes **without delay**. If the 2 minutes elapse without any fog produced, the unit switches for 15 minutes in the **energy saving mode**, which spares the battery capacity. In this mode however **fog can be produced at any time** with a short delay of maximum 6 s!

ACTIVATING DEVICE



To use the special advantages of the patented **SAFEX®-FlowMarker®** the **FOG APPLICATION TUBE** is necessary for low-impulse and thermal neutral fog generation.

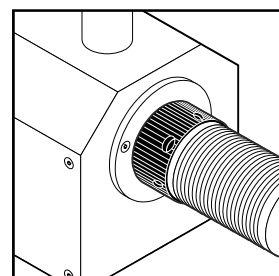
APPLICATION TUBE

By default, the device is equipped with the 30 cm long version **AR1** with the silver basic threaded part and a black plastic pipe (20 mm oØ). Due to its special design and material, the escaping fog is brought to the surrounding room temperature and is flow technological "calmed down".

In addition, a black plastic ring on the application tube base serves as **controllable air inlet**. By turning the ring, the six air inlets in the application tube can be reduced or completely closed. This has a considerable influence on the fog and its flow.

The fog can therefore be generated according to the user's requirements.

To collect the fog fluid that unavoidably condenses in the tube, the enclosed condensation absorbing rings should be inserted according to section „D“ MAINTENANCE AND CARE on page 13.



Manual use:

- If one would like to manually work with the device, briefly press the blue fog button, then the device produces the fog (if necessary the heating process starts first shortly, see previously).

This switching operation (active mist generation) is recognizable by the **white LED "FOG"**, it will light up permanently as long as the fog production is activated. **This also applies to the operation of the device by means of a remote control.**

This display of the activated fog generation is useful when for example the fog flow is not immediately visible due to air in the fluid channels or by using an additional fog ducting hose or long application tube etc.

- To **stop the fog production**, the blue button is briefly to be pressed again (switch-off process, white LED "FOG" goes off).
- Should the work with the device be immediately terminated, the **complete power off is achieved by a 4 s long, ongoing pressure on the blue button**. All LEDs flash up briefly, **after the red LED has gone out** the device is **completely turned off**.

GENERATING FOG

The **SAFEX®-FlowMarker®** has been constructed for use in any position of operation. By means of the application tube, the fog can be applied at the desired place or into the

airflow to be investigated, **in any position of the device.**

When the tank is full and the battery completely charged, **fog can be generated continuously for about 21 minutes.** Usually, the fog flow is only needed for some seconds, i.e. the device will be used only impulsively.

TURNING OFF UNIT



The **FlowMarker® model II** is equipped with a shut-off feature, it enables the user to turn the device completely off at any time. For this the blue button must be pressed 4 s permanently. First the white LED will light up briefly, then it turns off and the red LED displays the switching off by extinguishing itself too after a second. The unit is now internal completely powerless, **only the power input socket is still connected to the battery.**

If there are **additional devices connected to the charging socket** of the **FlowMarker®** (e. g. the **FM-HYDRA-TUBE SYSTEM®**), they must therefore always be **switched off separately**, they **cannot switch off automatically!**

Now, it is ensured that the built-in battery will not be harmfully deep discharged. However the battery should be charged completely before the device is not in use for very long time, because this significantly increases the service life of the lead/gel battery.

ENERGY SAVING MODE

For as long as possible battery life the **FlowMarker® model II** is now equipped with an **energy saving mode.**

If after activating of the device heating no fog has been produced within 2 minutes, in other words the blue button has not been pushed, the device is switching into the energy saving mode.

This mode is decreasing the heat exchanger temperature slightly, but allows the user **any time to press the fog button again.** The fog production starts than only with some seconds of delay (maximum 6 seconds, depending on the length of the interruption of use).

Is no fog is generated in this mode **within 15 minutes**, the device automatically switches into the so-called **SLEEP MODE** in which the heating functions come to a standstill. Only if necessary inserted wireless or cable remote controls are supported yet.

Using a remote control or pressing the fog button on the device the **SAFEX®-FlowMarker® however can always be briefly activated (heated up) again.**

This sleeping mode is maintained also for **2 hours.** Should this period pass **without producing fog**, the built-in microprocessor **switches off completely the device** (all LEDs go out), to ensure that the battery of a “forgotten” **FlowMarker®** will not soon or later destructively deep discharged!

OPERATION WITH REMOTE CONTROLS

The **SAFEX®-FlowMarker®** can excellently be used also stationary, where the fog generation in these cases is then beneficial started with a remote control.

For this the device is equipped with a remote control socket, to which an optional available **SAFEX® - RADIO-** or **CABLE REMOTE CONTROL** can be connected (see chapter „G“ OPTIONAL ACCESSORIES).

By each short pressing of the pushbutton of the remote control the fog flow will be turned on or off again. However, it may, depending on the ready state of the device possibly take some seconds until the fog is released.

The switching status is recognizable again at the **SAFEX®-FlowMarker®** by the white LED. (white LED lights up = fog function is activated).

Because the **SAFEX®-RADIO REMOTE CONTROL** consumes for its reception ability some energy, it will consume somewhat more battery capacity as with the energy neutral **SAFEX®-FlowMarker®-CABLE REMOTE CONTROL**.

Special behavior when using a remote control:

Is the FlowMarker in the sleep- or energy-saving mode, the **fog function will be triggered too by pressing a remote control key**. During the required heat up phase the fog function cannot be switched off inadvertently. In this way an unintentional switching off due to e.g. a key double activation is prevented because the user wants to start with the remote control the fog release.

The device can be also optionally equipped with the **FlowMarker®-STATIV-MOUNTING PLATE**, which allows to set up the device with an usual photo tripod with standard thread.

TRIPOD-MOUNTING

This accessory is attached usually by the factory, but can also be retrofitted to existing devices (e.g. by service stations).

In particular for stationary, as well as for mobile applications it can be useful to operate the **FlowMarker®** permanently with power supply. This is now possible with the 10-metre **FlowMarker®-POWER CABLE**, with which the **SAFEX®-FlowMarker®** will be connected to the standard battery AC charger adapter.

POWER SUPPLY CABLE

Due to the so established network connection the FlowMarker is virtually unlimited operational, only smoke fluid must be refilled if necessary (For this however disconnect temporarily the power supply!)

For special applications, extension tubes are available or can be developed.

Presently, the following variations are available:

APPLICATION TUBE EXTENTION

APPLICATION TUBE EXTENTION AR3 - 75 cm length

furnished with a tube fitting system for an application length of up to 1.8 m.

This accessory is suitable for the investigation of airflows at ceilings and smoke detectors.

NEW

is the also 75 cm long **FLOWTRACER®-FOG FILAMENT CURTAIN DEVICE**, which is fitted in the same way on the application tube and is a simple solution for creating a fog filament curtain with 9 fog filaments with a distance of 8 cm.

With the newly developed, optional available **FM-HYDRA-TUBESYSTEM**, the fog filament curtain can still become improved, because with it an additional air injection with variable speed comes to use.

The **FlowMarker® II** also offers the possibility, to work with it in the old operation mode, also in the same way as it was previously usual with the predecessor model. This working mode (Secondary Mode) is intended for users, which do not prefer the new operational mode.

CHANGING OPERATIONAL MODE

To change the operation mode, the **FlowMarker®** must be switched off first!

The **blue button must be then permanently pushed over 10 sec**, while all 3 LEDs light up briefly, but go out than completely. With the still permanently pushed button the red LED will light up after about 10 seconds and **must be deleted now 3 times by pressing**

the blue button.

With the last delete the device switches in the new (secondary) mode and is therefore ready for use. The new mode is displayed as follows:

- Flashing of the **green LED** indicates the **secondary** mode.
- Flashing of the **white LED** indicates the **primary** mode.

The device turns off automatically in secondary mode not as before after 3 minutes, but switches first for 0.5 h in the sleep mode. To **immediately turn off the device in the secondary mode** press the blue fog button **quickly four times in a row!** (All LED's extinguish permanently)

A mode change (back to the primary mode) is to maintain in the same way as previously described and also possible only after prior turn off.

D MAINTENANCE AND CARE

RELEASING TANK-PISTON

Occasionally, after prolonged non-use the tank piston of the **FlowMarker®** may lock itself. This is however not a real malfunction, but **can be fixed simply by giving a small amount of fog fluid into the tank** with the fog fluid aerosol can in the same way as the device is to be filled. **This releases the piston and the device is working again!**

BATTERY-MONITORING

If the battery voltage decreases below **11 V** the red LED starts flashing. With further declining of the battery voltage the off-phase of the red LED is becoming even shorter until it **permanently lights at about 10 Volt.**

When the battery has reached **9,5 V** the device **turns off automatically.**

With this signaling the user recognizes at an early stage that the battery capacity comes to an end and in regards to its working program taking this in consideration.

CHARGING THE BATTERY



The battery is charged **regularly inside** the device. The included **international mains charging adapter** generates the necessary DC voltage. It is connected to the device with the **inserted battery** via the **power input socket** (see figure 3). The power supply must be plugged into a regular **100 - 240 V AC / 50-60 Hz socket.**

The battery is automatically charged, with the FlowMarker switched on or off. After two hours, 80% of the loading is done; after 3 hours, the battery is 100% loaded. This is apparent on the color change of the charger LED! For frequent use, the device should regularly be connected to the power supply and, if possible, remain connected over night.

IMPORTANT: Please make sure that during storage or transport the fog button cannot be inadvertently pressed, for instance by objects lying on the device.

CHANGING BATTERY

If more than one battery is available, the device can be equipped quickly with a full load battery.

Loosen the **battery compartment safety screw**, hold the device upright with the nozzle showing up, and slightly beat the edge of the battery compartment on the ball of the thumb of your open hand until the battery loosens and slides into your palm.

Then insert according to section „B“ chapter INSERTING BATTERY page 9 a newly full loaded battery. **Afterwards always screw down the battery safety screw!**

The FlowMarker is designed for **operation only with original batteries.** The batteries sold by **SAFEX®** are specially tested and guarantee a safe and optimal function; **similar**

batteries even of the same brand available on the market are partly of inferior quality and may be not recommended!

In addition to the possibility to charge the battery inside the device, a **charging adapter clip for the power supply is available as an extra accessory**. With this accessory, you can **charge spare batteries independent of the device**.

Put the clip of the charging adapter on the contacts of the spare battery, plug the power supply into a regular (100- 240 V) outlet and charge the battery for at least 2, or better 3 hours. The **end of the charging process** is indicated by a color **change of the LED** on the power supply/charger.

CHARGING BATTERY EXTERNAL

Remainders of the fog fluid in the tank can be kept there for up to 2 years without suffering any harm. The pressurized **SAFEX® FOG FLUID AEROSOL CAN** is also storable for at least 2 years. It should be stored not below minus 15°C and at a maximum temperature of 30°C.

(For very long storage of the device please pay attention to the note at the beginning of this maintenance section!)

Due to its very fine construction details, the **SAFEX®-FlowMarker®** is **very sensitive to dirt in the fluid channels and in the fog fluid itself**. Therefore, the fill opening and the valve of the fluid can must be protected from fibres, fluff and any sticky liquids.

The fill stem (little tube) of the fluid can must be covered with its cap. It can be cleaned with warm water.

After every filling, clean the fill opening of remaining fluid with absorbent paper. Before the next filling, clean the opening of dust and fluff with a soft brush or warm water. (All case components are made of stainless steel).

But do not let any water get into the device.

FLUID FILLING AND TANK



As a matter of course, the filling system of the FlowMarker has a **highly efficient filter** which can be easily changed if required.

If the fog fluid from a new can fills the tank only very slowly or not at all, the cause may be - *unless the can is empty or depressurized* - a **blocked filter** in the fill opening.

In this case, change the filter as follows:

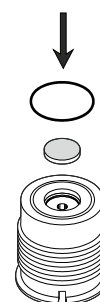
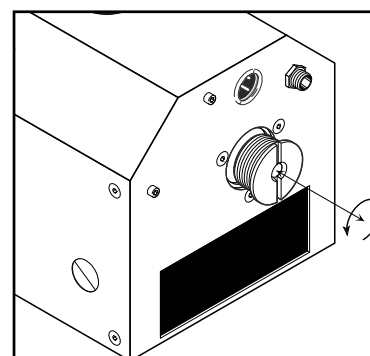
1. Unscrew the filter cartridge (see illustration) from the device by turning it counter-clockwise with a coin.
2. Take the white micro filter (30 my) out of the filter cartridge, preferably with tweezers, and dispose of it. At the same time, remove also the black o-ring seal.
3. **Gently** push the new micro filter into the recess and put a new o-ring into the groove. The o-ring must lie in the groove crease-free and evenly. **Pay attention to absolute cleanness.**
4. Gently screw filter cartridge hand tight into the device with a coin.

Do not clean or re-use the removed filter, and do not clean the fill opening with any sharp object.

Never use the FlowMarker without a filter. Even very small particles can lead to serious damage of the device.

Blockage of the fluid channels or the heat exchanger must **not be removed with acid, de-scaling agent or other detergents**; this would seriously damage the device. Appropriate repairs can only be carried out at the manufacturer's works or at approved service centers. Heaters for exchange are available as spare parts.

CHANGING THE FILTER



FOG FLUID CAN AND FLUID PRESSURE

The fog fluid itself is **harmless and no hazardous material**. The can, however, is under gas pressure and therefore classified as hazardous material according to international transport regulations as

UN No. 1950 AEROSOL asphyxiating, class 2 – Cat. 5A.

The pressure gas is non-flammable, non-toxic and ecologically harmless.

The pressure of the can is **independent** of the temperature. It gets less with every filling. Hence, every filling of the tank takes several seconds longer.

In order not to “de-aerate” the can incorrectly, **always fill the device with the fill stem of the can pointing up**. Filling in a horizontal or other position of the can is actual not possible.

For particular applications it may be necessary to generate only very small amounts of fog. As the amount of fog discharge depends on the amount of the tank filling, it may be advantageous to fill the tank only at one third or halfway.



CONDENSATE-ABSORBING RINGS

It is unavoidable that some condensation will occur in the fog application tube during intensive use of the FlowMarker.

In well ventilated warm areas a possible fluid condensation, for example on a cold surface, will dry up **without leaving a residue**. In the application tube however it is likely that under intensive use the condensed fluid film will increase and fluid may drop out of the tube.

To avoid a slide risk **condensation absorbing rings are available as an accessory**. The smaller ring **KR3 has to be inserted from the muzzle side** of the black tube.

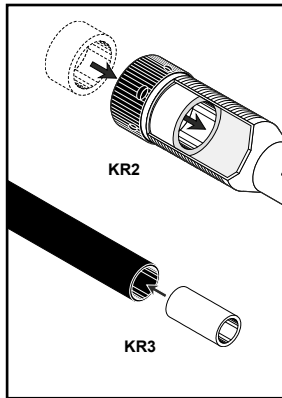
The larger ring **KR2 has to be inserted from the „threaded“ side** of the application tube until it fits in **behind the air inlet holes** at the recess.

The rings will absorb possible fluid condensation and may dry out if the **FlowMarker®** is not used. However they have to be replaced periodically depending on the intensity of use, at the latest when they are completely soaked.

To **remove the “front” ring KR3, use the attached plastic tube** and push it out from the rear end.

To **remove the KR2 ring, flush the tube inside with warm water and let the ring get soft before pulling it out**.

If necessary put the applicator tube end in warm water for some 15 min., remove the ring, clean it from fluid residues and other impurities and wipe the tube completely dry before mounting it back to the FlowMarker.



STORAGE AND TRANSPORTATION

E

If the FlowMarker will not be needed for more than 3 months and will not be connected to the power supply during this time, **charge the battery completely and take it out of the device**. IMPORTANT: Also **do not store** the device with **brimful tank over long time!**

Such preparation makes the battery **storable for up to 2 years** without suffering any damage.

During storage and transportation strictly prevent the battery contacts from being short-circuited by conductive materials such as metal, carbon fiber, graphite, foils etc. Otherwise there **is a serious fire risk**.



For the transport of the **FlowMarker®** its transportation case with special compartments for the accessories is intended as standard equipment. It is also prepared to host optional accessories, such as e.g. the **FM-HYDRA-TUBE SYSTEM®** and the **RADIO REMOTE CONTROL**.

Especially when wrapping or packing the FlowMarker (e.g. as flight baggage), take the battery out of the device every time to prevent the device from starting.

The two contacts of the battery must also be **covered** (e. g. with insulating tape etc.).

The battery is correctly positioned in the luggage compartment, if it is fully embedded with the naked contacts in the foam inlay with the back of the battery upwards (battery back is up if the side inscription is in normal reading position)

TRANSPORT



SAFETY INSTRUCTIONS F

All **SAFEX®-FOG GENERATORS** and its accessories comply with **DIN/VDE-Regulation 0700 part 245** as well with the **EC-directives 2001/95/EG, 2006/95/EG, 75/324/EWG** and the regulation (EG) Nr. 1272/2008 and therefore meet the legal regulations of the European Community. The FlowMarker fulfils international standards for low voltage operated electric devices.

The FlowMarker contains **no** freely accessible hazardous materials and only one heating element with circa 40 W power input. The entire power supply takes place exclusively with protective low voltage, provided the **added mains charging adapter** is used which fulfils local safety requirements.

Please notice:

1. The machines are equipped with a safety device. If the heating does not work properly, the machine will turn in a safe condition.
2. Replace fuses only while machine is switched off and the failure has been cleared by an expert. Use only proper spare part (fuse 5 x 20 mm, type see chapter "H" TECHNICAL DATA on page 21).
3. **Do not put electric machines in operation** which may have been **and** since the safety devices may be affected even if there is no damage visible from the outside. In cases of doubt immediately disconnect the machine from power and send it in for repair.
4. **Unauthorized repair or tampering with the regulation devices can lead to serious hazards and damage to the machine.** E. g. with incorrect power cords and power supplies / chargers or short circuit in the charging socket. **Repairs should only be made by authorized service centers.**
5. In any **places with public admittance** the machine must be **out of reach for unauthorized** persons. Electric installation must fulfill national safety requirements. Keep the device, fluid can and spare parts out of children's reach.

GENERAL

The nozzle of the device (see figure 2) **heats up to 300°C**. Do not touch during operation. Danger of burning!

The discharging fog jet is hot at first (about 10 cm). **Never direct it to persons, particularly not to the face**, without application tube. Danger of small but hot splashes!

Allow fog to be blown towards open space. **Never blow it directly on persons** (minimum safety distance: 0.5 m).

ACTIVE USE

Fog generation

Do not blow fog on hot surfaces, into open flames or into glowing heating elements etc.!

The normally non-flammable and non-toxic fog can decompose on hot, red glowing surfaces (> 380°C) or in open flames.

Heat sources like lamps, central heating or other closed heating systems or electric machines without red-glowing parts or small flames like candles, laboratory burner etc. **bear no hazard and need not to be given attention.**

Use the **FlowMarker®** only in dry condition; do not pour water over the device or immerse it in water. Any dirtying with aggressive media, dust, solvent, etc. may cause serious damage.



The FlowMarker is not suitable for use in explosive environment. It has no EX protection. Never use it in close proximity to open containers with inflammable liquids or in saturated areas with fumes of inflammable liquids or gases.

SLIP HAZARD



Due to physical processes, longer or improper use will inevitably result in some **fog fluid condensing inside the application tube.**

The condensed fluid can easily be wiped off with a paper towel or washed off with water. Remove fluid drops or spilled fluid on the ground, as viscous fluids create a risk of skidding.

Fluid absorbent rings are available as accessory. They are inserted on both ends of the application tube.

The larger **ring KR2 has to be inserted from the „threaded“ side** of the application tube until it fits **behind** the air inlet holes **at the recess**. It must not cover the air holes! The smaller **ring KR3 has to be inserted from the muzzle side** of the black tube until it has completely slipped in.

The rings will absorb possible fluid condensation. They have to be replaced periodically dependent on how intensive the device is used.

FLUID CAN

The **SAFEX® FOG FLUID AEROSOL CAN** is under pressure. The **propellant N₂** is **non-inflammable, non-toxic and environmentally safe.**

The pressurized fog fluid can, **like any aerosol can, must never be heated above 50°C, opened by force, or burned.**

When entirely empty, dispose of it with domestic refuse.

BATTERY

The battery of the **FlowMarker®** is a sealed lead-acid-gel-battery. If it is no longer usable, dispose of it according to local regulations!

- **By no means open or burn the battery, or short-circuit the battery poles.**
- **Should, in case of damage, any acid gel escape from the battery, immediately rinse the affected parts of the body with ample water. If eyes are affected, rinse first, then immediately consult a physician.**

Before use, check the battery safety screw **to prevent the battery from falling out** (See chapter B „Inserting Battery“).



For unattended transport, take the battery out of the device. Prevent the battery contacts from being short-circuited by conductive materials. **Serious fire hazard!** During transport cover battery contacts with non-conductive material (e. g. insulating tape)

The **FlowMarker®** will get seriously damaged if filled with other substances than **SAFEX® FlowMarker FOG FLUID**. Other fog fluids from **SAFEX®** or other manufacturers are also unsuitable.

CAUTION: Operation with unsuitable fluids or opening the device leads to the immediate loss of any guarantee or liability on the manufacturer's or supplier's side.

Therefore **do not open the device and do not unscrew any of its screws**. Repairs must be carried out only by authorized service centers.

Damaged or improper battery chargers may cause damaging of the battery and lethal electric shock. Therefore, use only checked and suitable charging devices which comply with national regulations.

Under no circumstances use device any longer if the red battery LED lights up permanently. Do not put fog or application tube into orifices of the body.

“STRANGE” FLUIDS + OTHER POSSIBLE MISSUS



G OPTIONAL ACCESSORIES

All **SAFEX®-FlowMarker® series II** (blue inscription, blue fog button) are with a remote- and a charging socket/low voltage input jack.

The following **FlowMarker® - REMOTE CONTROLS** can be connected:

- **FlowMarker® - CABLE REMOTE CONTROL**, 10 m,
simple, but robust cable remote control with highly flexible, thin cables. With a push of a button the fog can be triggered from distance.
- **SAFEX® FM- RADIO REMOTE CONTROL**, 30 m operating range,
small, comfortable remote control, consisting of transmitter and receiver. The receiver will be attached removable at the **FlowMarker®** by means of **VELCRO™ adhesive points**, the hand-held transmitter allows the remote control of one or more devices wirelessly. The remote control has a **certification for the whole EU area**.
- **FM-HYDRA- TUBE SYSTEM®**, for flexible ducting of the fog,
consisting of **FM-HYDRA® HOSE ATTACHMENT**, hoses and other accessories (see separate information sheet)
- **FlowMarker® - APPLICATION TUBE - EXTENSION AR3**, 75 cm long
extension for slipping over the application tube, to bring out the fog even at difficult positions.
- **FM-HYDRA FLOWTRACER®**, 75 cm long (fog filament curtain)
extension tube with holes for the generation of a fog filament curtain. (See separate information sheet)
- **FlowMarker® POWER CORD**, 10 m
flexible, thin cable for permanent power supply for the **FlowMarker®** by means of the existing battery AC charger adapter.

H TECHNICAL DATA FLOWMARKER II

OPERATION VOLTAGE	12 Volt DC from internal battery
POWER INPUT	3,4 A (in heating operation), Heating power 40 W - fuse intern: 5 x 20 mm - 6,3 A - medium time lag
POWER SUPPLY “INTERNATIONAL”	for all international voltages, with adapters for EU, GB, USA + Australia wall outlets, CE + UL listed! 100 - 240 V AC / 50-60 Hz / 250 mA / 18 VA - Output: 12 V DC / 1 A / 12 VA
DIMENSIONS	length 210 mm without application tube, - with standard application tube 500 mm - width 90 mm, height inclusive handle 135 mm
WEIGHT	2,66 kg including battery and application tube AR1
WEIGHT INCLUDING TRANSPORTATION CASE AND ACCESSORIES	5,4 kg including battery and application tube AR1
BATTERY	12 V - 2,1 Ah, lead-acid-gel battery type WP1223A, SAFEX® quality proofed
BATTERY CHARGING TIME	min. 2 hours 80 % - 3 hours 100 %
OPERATING TIME / BATTERY	for constantly switched-on device circa 2 to 5 hours , dependent on duration and frequency of fog generation
“ENERGY SAVING MODE” OF DEVICE	circa 2 minutes after last pressing fog button, lasting 15 min.
“SLEEP MODE” OF DEVICE	circa 17 minutes after last pressing fog button, lasting 2 hours
“SELF SHUTOFF” OF DEVICE	circa 2 hours 17 minutes after last pressing fog button.
HEAT-UP TIME	max. 30 seconds for cold device, max 6 sec. in energy saving mode
FOGGING AGENT	exclusively SAFEX® FLOWMARKER FOG FLUID (aerosol can)
TANK VOLUME	circa 18 ml
FLUID CONSUMPTION	circa 0.8 ml/min for continuous fog generation
FOG PERFORMANCE	tank volume lasts for circa 21 minutes continuous fog or for about 420 fog cycles of circa 3 seconds each
FLUID CAN	pressurized can according to UN No.1950 “AEROSOLS” , volume 73 ml = 75 g, sufficient for about 2000 fog cycles of circa 3 seconds each

OPTIONAL ACCESSORY & SPARE PARTS: (see also chapter G - Optional Accessories)

FOGGING AGENT	SAFEX® FLOWMARKER FOG FLUID , pressurized aerosol can with 72 ml
CONDENSATION ABSORBING RINGS	pack. containing 10 pieces, type KR 3 (since version 05.2005) pack. containing 10 pieces, type KR 2
SPARE FILTERS	pack. containing 2 filters and 2 seal rings
BATTERY CHARGER “INTERNATIONAL”	power supply with battery clip for external battery charging, for all international voltages, with adapters for EU, GB, USA + Australia wall outlets, CE + UL listed, 100 - 240 V AC / 50-60 Hz / 250 mA / 18 VA - Output: 12 V DC / 1 A / 12 VA
SPARE BATTERY	type LONG WP1223A, 12 V / 2,1 Ah; SAFEX® quality proofed

INHALTSVERZEICHNIS

Ansicht und Beschreibung der BedienungselementeS. 5 + 6

GEBRAUCHSANWEISUNG

A	Systembeschreibung	S. 21
B	Gerätevorbereitung	S. 22
C	Inbetriebnahme	S. 24
D	Wartung und Pflege	S. 27
E	Lagerung und Transport.....	S. 30
F	Sicherheitshinweise	S. 30
G	Optionales Zubehör	S. 33
H	Technische Daten	S. 34

SAFEX®-FLOWMARKER-II

Um alle Möglichkeiten des neuen **SAFEX®-FlowMarker® Modell II** voll ausnutzen zu können, ist es empfehlenswert, diese Gebrauchsanleitung einmal komplett zu studieren, **auch wenn man bereits mit dem Vorgängermodell vertraut ist.**

Diese Gebrauchsanweisung ist ggf. auch durch die Gebrauchsanweisungen des jeweils zusätzlich verwendeten, neuen und **optionalen Zubehörs** für den **FlowMarker®** zu ergänzen.



Die Sicherheitsanweisungen und die mit dem Ausrufezeichen versehenen Abschnitte sind besonders wichtig und sollten unbedingt beachtet werden.

ÄNDERUNGEN ZUM VORMODELL

Der **SAFEX®-FlowMarker® Modell II** ist gegenüber seinem Vorgängermodell **erheblich verbessert worden:**

- Die Funktionen des Geräts werden jetzt **durch einen Mikroprozessor gesteuert**, der eine verbesserte, mit mehr Funktionen ausgestattete Bedienung ermöglicht!
- Das Gerät enthält nun **standardmäßig** eine **Fernsteuerbuchse** zum sofortigen Anschluss einer Fernsteuerung.
- Die Auslösung der **Nebelfunktion** erfolgt jetzt durch **AN/AUS-Schaltung** (Schaltfunktion, nicht mehr Tastfunktion), der Nebelfluss wird jeweils durch ein **kurzes Drücken des blauen NEBEL-Knopfs** an- bzw. ausgeschaltet, genauso wie dies jetzt standardmäßig mit jeder Fernsteuerungen erfolgen kann.
- Durch den jetzt integrierten **Mikroprozessor** schaltet sich das Gerät **selbsttätig bei Nichtverwendung** nach einiger Zeit **in einen Akku-schonenden Spar-** sowie danach **in einen sog. Schlafmodus** und bei längerem Nichtgebrauch sogar **selbstständig aus**. Auf diese Weise wird die Batteriekapazität geschont, das Gerät bleibt länger betriebsfähig und auch eine **schädliche Tiefentladung des Akkus wird sicher verhindert.**
- Der **Schlafmodus** sorgt dafür, dass das Gerät nur wenig Akkukapazität verbraucht, jedoch **für Fernsteuerungen aktiv** bleibt.
- Neben der automatischen Abschaltung nach längerer Nichtbenutzung oder Batteriemangel ist das Gerät jetzt auch mit einer **manuellen Abschaltfunktion** ausgerüstet, mit der es jederzeit komplett abgeschaltet werden kann.
- Darüber hinaus ist das neue **Modell II** optimal auf **neues Zubehör** abgestimmt.

A SYSTEMBESCHREIBUNG

Das **SAFEX®-FlowMarker®-Nebelgerät** ist ein speziell zur Sichtbarmachung und visuellen Dokumentation langsamer und schwacher Luftströmungen entwickeltes **Nebelgerät** für Wissenschaft und Technik, welches mit den weltweit einzigartigen und vollkommen **ungefährlichen SAFEX®-Theaternebel-Fluiden** Nebel erzeugt.

Durch die Erzeugung eines **impulsarmen und thermisch praktisch neutralen Nebelflusses** können selbst schwierigste Aufgaben der Strömungsvisualisierung gelöst werden.

In strömungsberuhigten Bereichen können z. B. selbst kleine Vertiefungen mit Nebel gefüllt werden, der wie Wasser fließend, einen „Nebelsee“ ergibt und dessen Oberfläche auch schwächste Luftbewegungen erkennen lässt.

Weiterhin stehen neue, ergänzende Systemkomponenten, wie z. B. das **FM-HYDRASCHLAUCHSYSTEM®** zur Verfügung, die es jetzt ermöglichen, den Nebel z. B. über

Schläuche oder mittels verschiedener Sonden, Nebelrechen u. ä. auch an schwierige Orte oder auf besondere Weise in Luftströmungen, Geräte etc. einzubringen (siehe dazu Abschnitt „G“ OPTIONALES ZUBEHÖR).

Der SAFEX®-FlowMarker® Modell II besteht in der Grundausstattung aus:

- dem FlowMarker®-Gerät selbst
- einer **Einschub-Batterie** (Blei/Gel-Akku 12 Volt, 2,1 Ah/20HR, Typ WP1223A)
- dem aufschraubbaren **Nebel-Applikationsrohr Typ AR1**
- einer Druckgaspackung **FlowMarker®-NEBELFLUID** (Nebelmittel in Aerosoldose)
- je **5 Kondensat-Aufnahmeringen** Typ KR3 und KR2, (2 Stück im Applikationsrohr)
- einem **Kunststoffrohr** zur Entfernung des Kondensatrings KR3
- einem **Steckernetzteil-Ladegerät 12 V** = (1 A, 100 - 240 V ≈ ↔12 VA ⇒) zum Laden der Batterie sowie 4 internationalen Steckdosenadaptern
- der **Gebrauchsanleitung**
- sowie dem **FlowMarker®-Transportkoffer** mit Facheinteilungen.

SYSTEM KOMPONENTEN

B GERÄTE-VORBEREITUNG

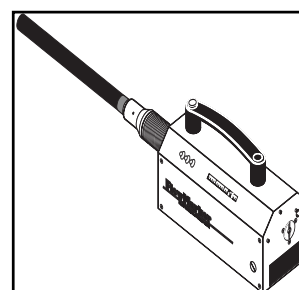
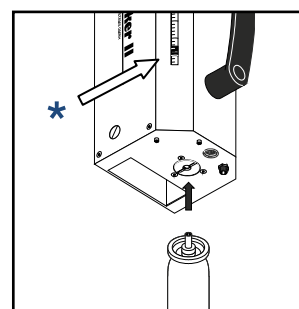
Vor dem Erstgebrauch sind das Gerät und sein Zubehör (Koffer-Inhalt) zunächst **auf Unversehrtheit und Vollständigkeit des Standardzubehörs zu prüfen**. Beschädigungen und das Fehlen von Teilen sind unmittelbar beim Transportunternehmen, bzw. dem Lieferanten oder seiner Service-Stelle zu reklamieren.

Das Gerät ist werkseitig bereits zu ca. 50% mit **Nebelfluid befüllt und entlüftet**, um eine erste Erprobung zu ermöglichen.

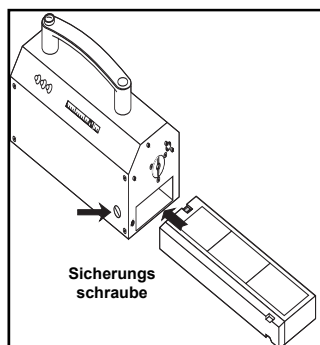
ALLGEMEINES

- a. Dazu Nebelfluid-Dose senkrecht auf eine Unterlage stellen, Ventilschutzkappe abnehmen und Dose mit einer Hand festhalten. (Eine Befüllung ist nur mit dem **Ventilstift (Stem) senkrecht nach oben** möglich, nicht jedoch in waagrechter oder anderer Position der Dose!)
- b. Jetzt **FlowMarker®** am Handgriff mit seiner Düse nach oben so auf die Dose aufsetzen, dass die auf der Rückseite des Gerätes befindliche Befüllöffnung den Füllstift (Stem) **der Dose** aufnimmt. Gerät dabei senkrecht so halten, dass das **Tankfenster zu sehen ist**.
- c. Gerät jetzt leicht auf die Dose drücken, dabei wird das Nebelfluid aus der Dose in das Gerät gedrückt. **Wichtig:** Es dürfen keine Schmutzpartikel in die Befüllöffnung gelangen
- d. *Der Befüllungsvorgang ist im Tankfenster erkennbar: Der Tankkolben mit der **gelben Markierung bewegt** sich zur Geräterückseite. Der Befüllungsvorgang ist **zu beenden, wenn die gelbe Markierung 80% des Sichtfensterausschnittes zurückgelegt bzw. dessen roten Bereich erreicht hat**. (Tank keinesfalls überfüllen!)
- e. Füllstift wieder aus der Befüllöffnung herausziehen und Ventil-Schutzkappe zurück auf die Dose setzen. (Verschmutzung der Befüllungsteile unbedingt vermeiden)
- f. Befüllöffnung ggf. mit einem Papiertuch von anhaftenden Fluidresten reinigen. (**SAFEX®-NEBELFLUID** ist ungiftig und ungefährlich und stellt keine Gefahr dar).

NEBELFLUID EINFÜLLEN



BATTERIE EINSETZEN



Die **Einschub-Batterie ist ebenfalls werkseitig teilgeladen**, um eine erste Erprobung des Gerätes zu ermöglichen. Es wird jedoch empfohlen, die Batterie **zunächst einmal vollständig zu laden** (Siehe dazu Abschnitt „D“ WARTUNG + PFLEGE).

- a. Zum Einsetzen der Batterie zuerst die **Batteriefach-Sicherungsschraube** (siehe Abb. rechts) mit einem Schraubendreher durch Linksdrehen soweit heraus-schrauben, bis der Schraubenkopf mit der Außenfläche des Gehäuses in etwa fluchtet und ein **leichter Widerstand** zu spüren ist. Dazu **keinesfalls vermehrte Kraft anwenden**, da sonst eine Beschädigung des Batteriefachs unvermeidbar ist.
- b. Batterie jetzt in das Batteriefach des Geräts so einschieben, dass die Batterie mit der Beschriftung **LONG™** nach oben und den Kontaktflächen voraus im Batterie-fach hörbar/spürbar einrastet und bündig mit dem Gehäuse abschließt.
- c. Anschließend Batterie-Sicherungsschraube unbedingt wieder durch Rechtsdrehen festsetzen, auch hier **Schraube nur handfest anziehen**.
- d. Diese Sicherungsmaßnahme ist erforderlich, denn die Blei-Gel-Batterie sollte keinesfalls aus dem Gerät fallen können, da sie zerbrechen und ätzende Batteriesäure austreten kann.
- e. Das Gerät ist **jetzt betriebsbereit**.



Ist die Batteriekapazität verbraucht, muss die Batterie nachgeladen werden*, **die rote Signal-LED blinkt zunächst und leuchtet später permanent auf**. (*Siehe dazu Abschnitt „D“ Wartung und Pflege)

Auf diese Weise erkennt der Anwender recht früh, dass ein Nachladen der Batterie bevorsteht, er kann so in der Regel noch seine begonnene Strömungsuntersuchung zu Ende führen.

Leuchtet die **rote LED permanent**, stehen je nach Zustand der Batterie noch **circa 2 - 6 min.** Batteriekapazität zur Nebelerzeugung zu Verfügung. Danach schaltet sich das Gerät zum Schutz vor Tiefentladung des Akkus komplett aus.

HINWEIS: Ein kurzes Aufblinken aller LED's beim Einschalten oder Ausschalten des Geräts dient der Signalüberprüfung, in diesen Fällen ist das kurze Aufleuchten der roten LED nicht mit einem Batteriemangel gleichzusetzen.

FLUIDWEGE ENTLÜFTEN

Zum optimalen Gebrauch müssen die im Gerät befindlichen Flüssigkeitswege **nach jedem Auffüllvorgang** entlüftet werden.

- a. Gerät durch kurzes, **1-maliges Betätigen** des **blauen Nebelknopfes** aktivieren/aufheizen.
- b. Nach **vollständigem** Aufheizvorgang, der bei kaltem Gerät ca. 30 Sek. dauert, (**grüne LED „BEREIT“ blinkt zunächst und leuchtet abschließend permanent!**)

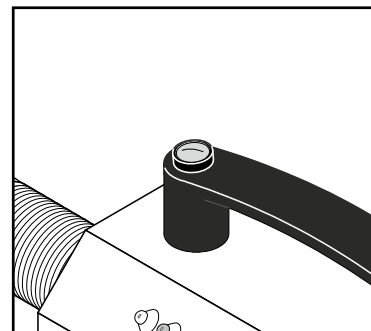
Gerät mit der Düse bzw. aufgesetztem Applikationsrohr senkrecht nach oben halten und mit einem kurzen Druck auf den Nebeltaster den Nebelfluss starten (weiße LED leuchtet), bis gleichmäßig Nebel austritt, dies kann, je nach vorhandener Luftmenge 10 - 30 Sek. erfordern. (Ein weiterer Tastendruck stoppt den Nebel wieder).

Die Entlüftung kann nur senkrecht nach oben erfolgen!

C INBETRIEBNAHME

- Das Gerät sollte dazu mit einem **geladenen** Akku versehen sowie mit ausreichend Nebelfluid befüllt sein.
- Gerät durch kurze Betätigung der **blauen Taste** starten, die 3 Leuchtdioden blitzen kurz auf. Das Gerät startet den Heizvorgang (erkenntlich an einem sich steigernden Blinken der grünen LED), bis es die **Betriebstemperatur erreicht** hat, welches an einem **dauerhaften Aufleuchten der grünen LED** erkenntlich wird.
- Das Gerät ist jetzt betriebsbereit, Nebel kann jetzt innerhalb der nächsten 2 min. **ohne Verzögerung** erzeugt werden. Verstreichen die 2 min. ohne dass Nebel erzeugt wird, schaltet das Gerät für 15 min **in den Sparmodus**, der die Batterie schont. Es kann jedoch aus diesem Sparmodus heraus mit einer kurzen Verzögerung von maximal 6 s **jederzeit Nebel erzeugt werden!**

GERÄT AKTIVIEREN



Um die besonderen Vorteile des patentierten **SAFEX®-FlowMarkers®** nutzen zu können, ist für impulsarme und thermisch neutrale Nebelerzeugung das **NEBEL-APPLIKATIONSROHR** erforderlich.

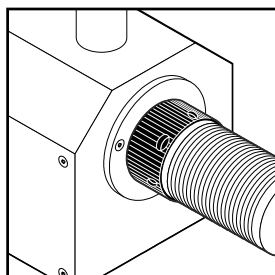
Standardmäßig ist das Gerät mit der 30 cm langen Version **AR1** mit silbernem Basis-Gewindeteil sowie einem schwarzem Kunststoffrohr (20 mm AØ) ausgerüstet. Durch die besondere Form und den Werkstoff wird der aus dem Gerät austretende Nebel mit dem Applikationsrohr auf Raumtemperatur gebracht und strömungstechnisch „beruhigt“.

Zusätzlich ist die Applikatorbasis mit einer **regelbaren Luftzufuhr** in Form eines **schwarzen Kunststoffringes** versehen. Durch seitliches Verdrehen des Ringes können die sechs Luftzuführ-Öffnungen im Applikator verkleinert oder ganz verschlossen werden, was deutliche Auswirkung auf den Nebel bzw. sein Fließverhalten hat.

So kann der Nebelfluss den Erfordernissen des Anwenders angepasst werden.

Zum Auffangen des unvermeidlich im Applikationsrohr entstehenden Nebelfluid-Niederschlags sind die Kondensatringe in das Rohr gemäß Abschnitt „D“ - WARTUNG UND PFLEGE auf Seite 27 einzusetzen.

APPLIKATIONSROHR



Manuelle Benutzung:

- Möchte man **mit dem Gerät manuell arbeiten**, blauen Nebelknopf bei aktiviertem Gerät kurz drücken, (ggf. startet kurz der Heizvorgang, siehe zuvor) danach erzeugt das Gerät den Nebel.

Dieser Schaltvorgang (aktive Nebelerzeugung) ist an der **weißen LED „NEBEL“** zu erkennen, diese leuchtet permanent auf, solange die Nebelproduktion aktiviert ist. **Dies gilt auch für die Betätigung des Geräts mittels einer Fernsteuerung.**

Diese Anzeige der aktivierten Nebelerzeugung ist hilfreich, wenn z. B. deren Nebelfluss durch Luft in den Fluidwegen oder durch Verwendung eines Zusatzschlauchs, eines langen Applikationsrohres usw. nicht sofort sichtbar wird.

- Zur **Beendigung des Nebelvorgangs** ist die blaue Taste erneut kurz zu betätigen (Ausschaltvorgang, weiße LED „NEBEL“ erlischt).
- Soll die Arbeit mit dem Gerät sofort beendet werden, erfolgt das **komplette Ausschalten** durch einen **4 s langen, andauernden Druck** auf den blauen Nebelknopf, dabei leuchten alle Leuchtdioden kurz auf, nach dem **Erlöschen der roten LED** ist das Gerät dann **komplett abgeschaltet**.

NEBELERZEUGUNG

Der **SAFEX®-FlowMarker®** ist dazu konstruiert, in allen Betriebslagen eingesetzt werden zu können. Der Nebel kann daher mittels des Applikationsrohres **in jeder Gerätelege** an die gewünschte Stelle bzw. in den zu untersuchenden Luftstrom gebracht werden.

Bei gefülltem Tank und vollständig geladener Batterie ist eine **ununterbrochene Nebelerzeugung** über ca. **21 Minuten** möglich. Üblicherweise wird der Nebelfluss jedoch nur wenige Sekunden benötigt, das Gerät also impulsweise benutzt.

GERÄT ABSCHALTEN



Das **FlowMarker® Modell II** ist mit einer Abschaltfunktion versehen, die es dem Anwender jederzeit ermöglicht, das Gerät komplett stromlos zu schalten. Dazu ist die blaue Taste dauerhaft 4 s lang zu betätigen, zunächst leuchtet die weiße LED kurz auf, dann erlischt diese und die rote LED zeigt das Abschalten an, indem auch sie verlöscht. Das Gerät ist damit intern stromlos geschaltet, **nur die Ladebuchse ist noch mit der Batterie verbunden**.

Sind **Zusatzgeräte** (z. B. das **FM-HYDRA-SCHLAUCHSYSTEM**) an die **Ladebuchse** des **FlowMarkers®** angeschlossen, müssen diese deshalb immer **separat abgeschaltet** werden, sie schalten sich **nicht automatisch aus!**

Jetzt ist sichergestellt, dass sich der eingebaute Akku nicht schädlich tief entladen kann. Allerdings sollte dieser bei sehr langem Nichtgebrauch zuvor einmal komplett aufgeladen werden, da dies die Lebensdauer der Blei/Gelakkus erheblich erhöht.

Wird vom Anwender das Ausschalten des Gerätes vergessen, schaltet sich dieses zunächst in den Schlafmodus und dann ebenfalls automatisch nach 2 h total ab.

ENERGIESPAR- MODUS

Für eine möglichst lange Batterienutzungsdauer ist das **SAFEX®-FlowMarker® Modell II** jetzt mit einem **ENERGIE-SPARMODUS** ausgerüstet.

Wird nach Aktivierung der Geräteheizung innerhalb von ca. 2 Minuten kein Nebel entnommen, also der blaue Taster nicht (erneut) betätigt, schaltet sich das Gerät in den Sparmodus.

Dieser Sparmodus lässt die Verdampfertemperatur etwas absinken, erlaubt aber dem Anwender **jederzeit wieder den Nebelknopf zu betätigen**, wobei dann die Nebelproduktion lediglich mit einigen Sekunden Verzögerung (max. 6 Sek., je nach Länge der Nutzungsunterbrechung) startet.

Wird jedoch auch in diesem Sparmodus kein Nebel erzeugt, schaltet sich das Gerät nach weiteren **15 Minuten** automatisch in den sog. **SCHLAFMODUS** in dem auch die Heizfunktionen zum Erliegen kommen, lediglich ggf. eingesteckte Funk- oder **Kabel-Fernsteuerungen** werden noch unterstützt.

Mit Hilfe dieser oder durch Betätigung des NEBEL-Knopfes am Gerät kann der **SAFEX®-FlowMarker® jedoch jederzeit wieder kurzfristig aktiviert** (aufgeheizt) werden.

Dieser Schlafmodus wird ebenfalls für weitere **2 Stunden** aufrecht erhalten. Sollte auch dieser Zeitraum **ohne** Nebelerzeugung verstreichen, schaltet der eingebaute Mikroprozessor das Gerät **vollständig ab** (alle LEDs erlöschen), damit auch die Batterie eines „vergessenen“ **FlowMarkers®** sich **nicht** über kurz oder lang zerstörerisch tief-entlädt!

BETRIEB MIT FERN- STEUERUNGEN

Der **SAFEX®-FlowMarker® Modell II** ist auch hervorragend **stationär einsetzbar**, wobei die Nebelerzeugung in diesen Fällen dann vorteilhaft mit einer Fernsteuerung ausgelöst wird.

Dazu ist das Gerät mit einer **FERNSTEUERBUCHSE** ausgerüstet, an die eine optional erhältliche **SAFEX®-FUNK-** oder **KABEL-FERNSTEUERUNG** angeschlossen werden kann

(siehe Abschnitt „G“ OPTIONALES ZUBEHÖR).

Durch jeweils kurze Betätigung der Schalttaste der Fernsteuerung wird der Nebelfluss ein- bzw. wieder ausgeschaltet. Allerdings kann es, je nach Bereitschaftszustand des Geräts u. U. bis zum Austreten des Nebels einige Sekunden dauern.

Der Schaltzustand ist am **SAFEX®-FlowMarker®** wieder durch die weiße LED zu erkennen (weiße LED leuchtet = Nebelfunktion ist aktiviert).

Da die **SAFEX®-FUNKFERNSTEUERUNG** für eine Empfangsbereitschaft etwas Energie verbraucht, wird mit dieser etwas mehr Batteriekapazität verbraucht, als mit der Energie-neutralen **SAFEX®-FlowMarker®-KABELFERNSTEUERUNG**.

Sonderverhalten bei Benutzung einer Fernsteuerung:

Befindet sich der FlowMarker im Schlaf- oder Sparmodus, so wird **durch Betätigen** einer Fernsteuerungstaste auch **die Nebelfunktion mit gestartet**. Während der dazu notwendigen Aufheizphase lässt sich die Nebelfunktion nicht (versehentlich) wieder ausschalten. Auf diese Weise ist ein unbeabsichtigtes Ausschalten durch, z. B. eine Tastendoppel-Betätigung etc. verhindert, da der Anwender ja mit der Fernsteuerung den Nebel auslösen will.

Das Gerät kann auch optional mit der **FlowMarker®-STATIV-MONTAGEPLATTE** ausgestattet sein, die es erlaubt, das Gerät mit einem üblichen Fotostativ mit Normgewinde aufzustellen.

STATIV-MONTAGE

Diese Ausstattung wird werkseitig vorgenommen, kann aber auch an vorhandenen Geräten nachgerüstet werden (z. B. auch von Service-Stationen).

Insbesondere für stationäre, aber auch für mobile Anwendungen kann es sinnvoll sein, den SAFEX® FlowMarker ständig mit Netzversorgung zu betreiben. Dies ist jetzt mit dem 10 m langen **FlowMarker®-NETZKABEL** möglich, mit dem der **SAFEX®-FlowMarker®** mit dem Standard-Ladegerät (Lade-Netzteil) verbunden wird.

NETZKABEL

Durch die so hergestellte, ständige Netzverbindung bleibt der FlowMarker praktisch unbegrenzt betriebsfähig, lediglich Nebelfluid muss bei Bedarf nachgefüllt werden. (Dazu Netzverbindungen jedoch vorübergehend trennen!)

Für spezielle Anwendungen sind Verlängerungsrohre lieferbar bzw. können auch nach Kundenwunsch hergestellt werden.

APPLIKATIONSROHR-VERLÄNGERUNG

Standardmäßig steht z. Z. folgende Ausführung zur Verfügung:

FM-APPLIKATIONSROHR-VERLÄNGERUNG AR3 - 75 cm lang

mit Steckmuffe, mit dem eine **Anwendungslänge von 1,00 m** erreicht wird.

Diese Ausstattung ist speziell zur Untersuchung von Luftströmungen an Zimmerdecken oder z. B. von Rauchmeldern vorgesehen.

NEU

ist der ebenfalls 75 cm lange **FLOWTRACER®-NEBELRECHEN**, der auf gleiche Weise auf das Applikationsrohr gesteckt wird und dann eine einfache Lösung zur Erzeugung eines Nebelvorhangs mit 9 Nebelfäden im Abstand von 8 cm darstellt.

Mit dem neu entwickelten, als Zubehör erhältlichen **FM-HYDRA-SCHLAUCH-SYSTEM**, lässt sich der Nebelvorhang-Effekt noch verbessern, da hier eine zusätzliche, regelbare Luftzuführung zusätzlich zum Einsatz kommt.

BETRIEBSMODUS WECHSELN

Der **FlowMarker® II** bietet auch die Möglichkeit, in der »alten« Betriebsart zu arbeiten, also in gleicher Art und Weise wie es bisher mit dem Vorgängermodell üblich war. Diese Betriebsart (Sekundär-Modus) ist für Anwender gedacht, die sich nicht mit der neuen Betriebsweise »anfreunden« können.

Um die Betriebsart zu wechseln, muss zunächst der FlowMarker **ausgeschaltet** werden!

Anschließend ist die **blaue Nebeltaste insgesamt 10 Sek. dauerhaft** zu drücken, dabei leuchten zunächst alle 3 Leuchtdioden kurz auf, verlöschen dann jedoch vollständig. Bei weiter gedrückter Taste leuchtet nach circa 10 Sek. die rote LED auf und muss **jetzt 3 mal durch kurzes Drücken** der blauen Taste gelöscht werden.

Beim letzten Löschen schaltet das Gerät in den neuen (Sekundär-) Modus und ist damit betriebsbereit. Der neue Modus wird wie folgt angezeigt:

- Blinken der **grünen LED** signalisiert den **Sekundärmodus**.
- Blinken der **weißen LED** signalisiert den **Primärmodus**.

Das Gerät schaltet sich im **Sekundärmodus** nicht wie früher nach 3 min automatisch aus, sondern schaltet zunächst noch für 0,5 h in den Schlafmodus. Um das Gerät **im Sekundärmodus sofort auszuschalten**, die blaue Nebeltaste **schnell viermal hintereinander betätigen!** (Alle Leuchtdioden erlöschen dauerhaft.)

Ein Moduswechsel (zurück zum Primärmodus) ist auf die gleiche Weise wie zuvor beschrieben durchzuführen und ebenfalls nur nach vorherigem Ausschalten möglich.

WARTUNG UND PFLEGE

D

TANKKOLBEN LÖSEN

Gelegentlich kann sich **nach längerem Nichtgebrauch der Tankkolben** des **FlowMarker® festsetzen**. Dies ist jedoch kein wirklicher Defekt, sondern kann einfach behoben werden, indem man mit der Nebelfluid-Aerosoldose wie beim Auffüllen **einen kleinen Nebelfluidstoß in den Tank gibt**. Dabei löst sich der Kolben und **das Gerät funktioniert sofort wieder!**

BATTERIE- ÜBERWACHUNG

Sinkt die Akku-Spannung **unter 11 V, so beginnt die rote LED zu blinken**. Bei weiter sinkender Akkuspannung werden die AUS-Phasen der roten LED immer kürzer, bis sie **bei circa 10 Volt permanent leuchtet**.

Unterschreitet der Akku **9,5 V** schaltet sich das Gerät **automatisch ab!**

Durch diese Signalgebung erkennt der Anwender frühzeitig, dass die Batteriekapazität zu Ende geht und er kann sich hinsichtlich seines Arbeitsprogramms darauf einstellen.

LADEN DER BATTERIE

Die Batterie wird **regulär im** Gerät geladen. Das mitgelieferte, international verwendbare **LADEGERÄT** erzeugt die erforderliche Gleichspannung und wird über die **LADEBUCHSE** (siehe Abb. 1) mit dem Gerät **bei eingesetzter Batterie** verbunden. Das Ladegerät selbst ist in eine vorschriftsmäßige Netzsteckdose mit **100 - 240 V AC / 50-60 Hz** einzustecken.

Das Laden der Batterie erfolgt nach Netzverbindung automatisch auch bei ausgeschaltetem Gerät. Eine 80%ige Ladung ist nach ca. 2 Std. erreicht, eine 100%ige Ladung benötigt ca. 3 Std und ist am **Farbwechsel der Ladegerät-LED** erkenntlich!

Bei häufigem Einsatz empfiehlt es sich, das Gerät bei Nichtgebrauch immer wieder mit dem Ladegerät zu verbinden und ggf. auch „über Nacht“ am Netz zu belassen.

WICHTIG: Es muss sichergestellt sein, dass der Nebeltaster nicht bei Lagerung oder Transport versehentlich betätigt wird, z. B. durch darauf liegende Gegenstände.



Stehen mehrere Batterien zur Verfügung, kann das Gerät auch kurzfristig mit einer vollgeladenen **AUSTAUSCH-BATTERIE** versehen werden.

BATTERIE-WECHSEL

Dazu **Batteriefach-Sicherungsschraube** lösen, Gerät über einem Tisch o. ä. mit der Düse nach oben halten und mit der Batteriefachkante leicht auf den Handballen der geöffneten Hand schlagen, bis sich die Batterie löst und in die Handfläche gleitet. Anschließend gemäß Abschnitt „B“ unter BATTERIE EINSETZEN S. 23 eine „frische“ Batterie einsetzen. Sicherungsschraube anschließend **unbedingt wieder anziehen!**

Das Gerät ist **nur für den Betrieb mit Originalbatterien** vorgesehen. Die von **SAFEX®** vertriebenen Batterien sind speziell geprüft und garantieren sichere und optimale Funktion, gleichartige am Markt erhältliche Akkus sind zum Teil von minderwertiger Qualität und können nicht empfohlen werden!

Neben der Möglichkeit, die Batterie im Gerät zu laden, steht ein **Ladeadapter-Clip für das Ladegerät als Sonderzubehör** zur Verfügung. Mit diesem Zubehörteil können **Reservebatterien unabhängig vom Gerät geladen** werden.

BATTERIE EXTERN LADEN

Dazu Ladeadapter (Clip) auf die Kontakte der Reservebatterie aufsetzen, Ladegerät in vorschriftsmäßige Steckdose (100 - 240 V AC) stecken und so Batterie mind. 2 Std., vorzugsweise jedoch 3 Std. aufladen. Das **Ende des Ladevorgangs** wird durch einen **Farbwechsel der LED** am Ladegerät angezeigt.

Im Gerätetank befindliche Nebelfluidе können ohne Beeinträchtigung bis zu 2 Jahren im Gerät verbleiben. Auch die **SAFEX®-NEBELFLUID**-Druckgaspackung ist mindestens 2 Jahre lagerfähig. Die Lagerung sollte nicht unter -15 °C und bei max. + 30 °C erfolgen. (Bei sehr langer Lagerung des Gerätes ist bitte der Hinweis bezüglich des Tankkolbens am Anfang dieses Abschnitts zu beachten)

FLUIDFÜLLUNG UND TANK

Durch sehr feine Konstruktionsdetails ist der **SAFEX®-FlowMarker®** **sehr empfindlich gegen Verschmutzung der Flüssigkeitswege** und des Nebelfluides selbst. Daher müssen die Befüllungsöffnung und das Dosenventil der Fluiddose vor Verschmutzung durch Fasern, Fussel und klebrige Flüssigkeiten aller Art geschützt werden.



Der Ventilstift der Fluiddose ist durch die Dosenkappe abzudecken, er kann ggf. mit warmem Wasser gereinigt werden.

Die Einfüllöffnung ist nach der Befüllung mit einem saugfähigen Papier von ggf. anhaftenden Fluidresten zu reinigen und vor einer erneuten Befüllung von Fusseln und Staub mittels einer weichen Bürste oder einem kräftigen Pinsel zu reinigen, auch kann diese Stelle durch warmes Wasser gereinigt werden. (Alle Gehäuseteile sind aus Edelstahl)

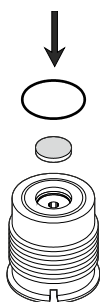
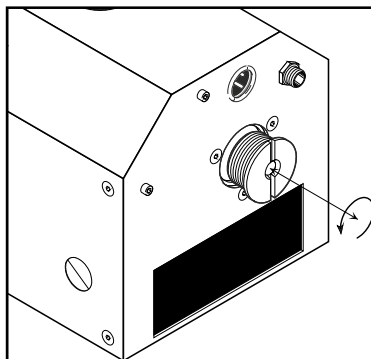
Es darf jedoch kein Wasser in das Innere des Gerätes gelangen.

Selbstverständlich ist das Befüllsystem des **SAFEX®-FlowMarker®** mit einem **hochwirksamen Filter ausgerüstet**, der bei Bedarf auf einfache Weise gewechselt werden kann.

FILTERWECHSEL

Ist beim Nachfüllen von Nebelfluid mit einer „frischen“, mit ausreichend Druck versehenen Fluiddose zu beobachten, dass sich nur sehr langsam oder praktisch kein Fluid in den

Tank einbringen lässt, so kann, neben einer leeren oder drucklosen Fluiddose als Ursache der Einfüllfilter verstopft sein.



Der Filterwechsel ist dann wie folgt vorzunehmen:

1. Einfüll-Filterkartusche (siehe Abb. links) mittels einer Münze durch Linksdrehen aus dem Gerät herauszuschrauben.
2. Weißen Mikroporenfilter (30 my) aus der Filterkartusche entnehmen (ggf. Pinzette verwenden) und entsorgen. Gleichzeitig auch schwarzen Dichtungs-O-Ring entfernen.
3. Neuen Mikro-Filter in vorgesehene Vertiefung **ohne Kraftanwendung** drücken und ebenfalls neuen O-Ring in Nut einlegen. (O-Ring muss faltenfrei und gleichmäßig in der Nut liegen). **Dabei auf äußerste Sauberkeit achten.**
4. Jetzt Filterkartusche wieder in das Gerät schrauben und mittels Münze handfest anziehen.

Der ausgebaute Filter sollte nicht gereinigt oder wiederverwendet werden, auch ist eine Reinigung der Befüllungsöffnung mittels spitzer Gegenstände unangebracht.

Das Gerät sollte auch **unter keinen Umständen ohne Filter betrieben werden**, da bereits kleinste Partikel zu einer ernsthaften, reparaturaufwendigen Beschädigung des Gerätes führen können.

Eine Verstopfung der Flüssigkeitswege oder des Wärmetauschers kann **nicht mit Säuren, Entkalkern oder anderen Reinigungsmitteln** behoben werden, ohne das Gerät ernsthaft zu zerstören. Eine sachgerechte Reparatur ist nur im Herstellerwerk möglich. Austausch-Wärmetauscher stehen als Ersatzteil zur Verfügung.

NEBELFLUIDDOSE UND FLUIDDRUCK

Das in der Fluiddose befindliche **Nebelmittel ist ungefährlich und kein Gefahrstoff**, die Dose steht jedoch unter Gasdruck und ist daher als Gefahrstoff im Sinne internationaler Transportvorschriften als

UN-Nr: 1950 DRUCKGASPACKUNG, erstickend, Klasse 2 – Kat. 5A

anzusehen. **Das Druckgas ist unbrennbar, ungiftig und umweltneutral.**

Nach ADR/RID-Vorschriften unterliegen **SAFEX®-FlowMarker®-NEBELFLUIDDOSEN** in Kontinentaleuropa in Packstücken bis 30 kg brutto jedoch **sehr erleichterten Bedingungen** beim Transport auf der Straße bzw. mit der Eisenbahn und müssen u. a. lediglich gut verpackt und gekennzeichnet sein. (ADR/RID, 3.4.1 [ehemals LQ-Regelung]).

Der Druck der Dose ist temperatur-**unabhängig**, er nimmt bei jedem Füllvorgang ab. Es dauert daher jedes Mal einige Sekunden länger um den Tank zu befüllen.



Um die Dose nicht fehlerhaft zu „entlüften“, darf der **Befüllvorgang** des Gerätes **nur mit dem Ventilstift senkrecht nach oben** erfolgen, eine Befüllung in waagerechter oder anderer Position ist z. Z. noch nicht möglich!

Für spezielle Anwendungen kann es erforderlich sein, dass nur sehr wenig Nebel erzeugt wird. Da die Ausstoßmenge vom Befüllungsgrad des Tanks abhängig ist, kann es daher sinnvoll sein, den Tank ggf. nur zu einem Drittel oder zur Hälfte zu füllen.

KONDENSAT-AUFNAHMERINGE

Während der Nebelerzeugung entsteht unvermeidlich in den Applikationsrohren ein Nebelfluidniederschlag. Geringe Mengen trocknen bei warmer Umgebungsluft nach einiger Zeit wieder weg, so wie sich auch ein Nebelfluid-Niederschlag z. B. auf kalten Oberflächen nach kurzer Zeit **rückstandslos** verflüchtigt, wenn die Umgebung gut belüftet wird.

Bei intensiverem Gebrauch des Gerätes wird jedoch speziell im Applikationsrohr der Niederschlag zunehmen, wenn dieses nicht gut von warmer Luft durchströmt wird.

Um heraustropfendes Fluid aus dem Rohr und damit Rutschgefahr zu vermeiden, müsste das Rohr häufiger während des Einsatzes abgenommen und ausgewischt werden.

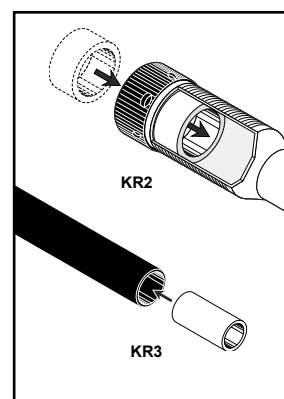
Einfacher ist jedoch die Verwendung der **FM-KONDENSAT-AUFNAHMERINGE KR 3 und KR 2**, die als Zubehör erhältlich sind.

Der größere **Ring KR2** wird von der **Gewindeseite** so in das Applikationsrohr eingeschoben, dass er **hinter den Luftöffnungen**, ohne diese zu verdecken, **am Anschlag** zu sitzen kommt. Der kleinere **Ring KR3** wird von **vorne in die „Düse“** des jeweiligen schwarzen Rohres eingeschoben.

Die Ringe nehmen eventuell austretendes Kondensat auf, und trocknen ggf. wieder aus. Sie müssen jedoch bei intensiverem Gebrauch des Gerätes erneuert werden, wenn ihre Aufnahmekapazität erschöpft ist, sie also völlig durchtränkt sind. Das **Entfernen des vorderen Ringes erfolgt mit dem Hilfs-Kunststoffrohr**, mit dem der Ring nach vorne ausgestoßen werden kann.

Der **hintere Ring nahe dem Applikationsrohr-Gewinde sollte durch Durchspülen des Rohres mit warmem Wasser erweicht und dann von der Gewindeseite entnommen werden**. Ggf. ist das Rohr für einige Minuten in lauwarmes Wasser einzutauchen um den Ring aufzuweichen, dabei können Fluidreste und Verunreinigungen mit aus dem Rohr entfernt werden.

Das Rohr sollte erst trocken gewischt werden, bevor es zurück auf das Gerät montiert wird.



E LAGERUNG UND TRANSPORT

Wird das Gerät länger als 3 Monate nicht benötigt und soll es nicht während der Lagerung mit dem Netzteil verbunden bleiben, so ist die Batterie **nach abschließender Vollladung** aus dem Gerät zu entnehmen. Eine so vorbereitete Batterie ist ohne Schaden **bis zu 2 Jahre** lagerfähig. **WICHTIG: Gerät auch nicht sehr lange mit randvollem Tank lagern!**

Es muss darauf geachtet werden, dass die Batteriekontakte bei Lagerung und Transport nicht durch leitfähige Materialien (Metall, Kohlenstoff-Fasern, Graphit, Metallfolien usw.) kurzgeschlossen werden, anderenfalls besteht **ernste Brandgefahr!**



Zum Transport ist der spezielle Koffer mit Facheinteilung für das Zubehör als Standardausstattung vorgesehen. Dieser ist auch zur Aufnahme optionalen Zubehörs, wie z. B. des **FM-HYDRA-SCHLAUCHSYSTEMS®** und der **FUNKFERNSTEUERUNG** vorbereitet.

In verpacktem Zustand, z. B. als Luftfrachtgut, sollte die Batterie des Gerätes in jedem Falle entnommen werden, damit sich das Gerät nicht durch ungewollten Druck auf den Nebeltaster einschalten kann.

Außerdem sollten durch richtige Verpackung bzw. Positionierung **die Pole** der Batterie im Koffer **vor Kurzschluss geschützt** sein.

Die Batterie ist im Kofferfach richtig positioniert, wenn diese mit den blanken Polen vollständig mit dem Batterierücken nach oben in der Schaumstoffeinlage eingebettet ist (Batterierücken ist **oben** wenn sich die seitliche Aufschrift in normaler Leselage befindet)

TRANSPORT



F SICHERHEITSHINWEISE

Alle SAFEX®-NEBELGERÄTE und ihr Zubehör sind entsprechend der DIN/VDE-Vorschrift 0700 Teil 245 sowie den EU-Richtlinien 2001/95/EG, 2006/95/EG, 75/324/EWG und der Verordnung (EG) Nr. 1272/2008 bzw. den in deutsches Recht umgesetzten, entsprechenden Rechtsverordnungen konstruiert und gefertigt und entsprechen damit den gesetzlichen Bestimmungen in der Europäischen Gemeinschaft.

ALLGEMEINES

Das Gerät enthält keine frei zugänglichen, gefährlichen Stoffe und lediglich ein Heizelement mit ca. 40 Watt Leistungsaufnahme. Die gesamte Stromversorgung findet ausschließlich mit Schutzkleinspannung statt, vorausgesetzt, der mitgelieferte, **vorschriftsmäßige CE-STECKERTRAFO** wird verwendet.

Dennoch sind die folgenden Hinweise zu beachten:

- 1.) Die Geräte sind mit einer Defektschaltung versehen. Bei Fehlfunktion der Heizung schaltet sich das Gerät in einen sicheren Betriebszustand.
- 2.) Ein Auswechseln von Sicherungen darf nur bei abgeschaltetem Gerät nach Behebung der Auslöseursache durch einen Fachmann unter Verwendung von geeignetem Ersatzteil erfolgen (Feinsicherung 5 x 20 mm, Wert siehe im Abschnitt: „H“ TECHNISCHE DATEN, S. 34).
- 3.) Elektrische Wärmegeräte, die **durch Sturz beschädigt** werden konnten, dürfen **nicht** wieder in Betrieb genommen werden, da die Sicherheitseinrichtungen - auch ohne sichtbare Schäden von außen - beschädigt sein können. In Zweifelsfällen Batterie aus dem Gerät entnehmen und dieses zur Reparatur einsenden.
- 4.) **Unsachgemäße Reparaturen bzw. Veränderungen der Regeleinrichtungen können zu Gefahren und zur Zerstörung des Gerätes führen**, z. B. auch bei fehlerhaften Netzkabeln und Ladegeräten oder Kurzschluss in der Ladebuchse. **Reparaturen sollten nur durch autorisierte Werkstätten (Hersteller) vorgenommen werden.**
- 5.) In Räumen mit Publikumsverkehr sollte das Gerät für Unbefugte **nicht zugriffsbereit** sein. Gerät und Zubehör (Fluiddose usw.) gehören ebenfalls nicht in Kinderhand.



AKTIVER BETRIEB

(Nebelerzeugung)

Die Düse des Gerätes (siehe Abb. 2) wird bis zu **300 °C heiß**, ein Berühren während des Betriebes führt zu einer punktförmigen Verbrennung.

Der austretende Nebelstrahl ist über ca. 10 cm zunächst heiß, er sollte daher **ohne Applikationsrohr nicht auf Personen**, insbesondere nicht auf das Gesicht gerichtet werden (Gefahr heißer Spritzer).

Der erzeugte Nebel sollte frei in den Raum austreten können und sollte nur mit Abstand (mind. 0,5 m) **auf Personen** gerichtet werden.

Ein Applizieren des Nebels auf **heiße Oberflächen** bzw. direkt in **offene Flammen, glühende Heizspiralen** usw. ist **unzulässig!** Der ansonsten unbrennbare und gesundheitlich unbedenkliche Nebel kann sich, allerdings nur auf sehr heißen Oberflächen (> 200 °C) und in großen Flammen, thermisch zersetzen. **Kleine Flammen** wie Kerzen oder Laborbrenner sowie übliche Wärmequellen wie Leuchten, Zentralheizungen, andere geschlossene Heizsysteme und elektrische Geräte **können jedoch unberücksichtigt bleiben.**

Des Weiteren darf das Gerät nur unter trockenen Bedingungen eingesetzt, nicht mit Wasser übergossen oder darin eingetaucht werden. Jede Verschmutzung mit aggressiven Medien, Staub, Lösungsmitteln usw. kann zu ernsthafter Beschädigung führen.

Der SAFEX®-FlowMarker® ist nicht zum Einsatz in explosiver Atmosphäre geeignet (kein EX-Schutz). Ein Arbeiten damit in unmittelbarer Nähe von offenen Behältern mit leicht brennbaren Lösungsmitteln bzw. in Lösungsmitteldampf-Ansammlungen ist daher unzulässig!



Durch physikalische Vorgänge ist es unvermeidbar, dass sich bei längerem Gebrauch etwas **Fluid an den Innenwänden der Applikationsrohre niederschlägt**.

RUTSCHGEFAHR

Dieser Niederschlag kann mit einem Papiertuch ausgewischt oder mit Wasser abgespült werden. Da u. U. auch Fluid zu Boden tropfen kann, ist dieses aufzunehmen, weil viskose Flüssigkeiten eine Rutschgefahr darstellen. Gleiches gilt für ausgelaufenes Nebelfluid.



Als Zubehör sind daher **Kondensat-Aufnahmeringe** erhältlich, die an beiden Seiten des Applikationsrohres eingeschoben werden können.

Der größere **Ring KR2 wird von der Gewindeseite** so in das Applikationsrohr eingeschoben, dass er **hinter den Luftöffnungen**, ohne diese zu verdecken, **am Anschlag** zu sitzen kommt. Der kleinere **Ring KR3 wird von vorne in die „Düse“** des jeweiligen schwarzen Rohres eingeschoben.

Die Ringe nehmen eventuell austretendes Kondensat auf, müssen jedoch bei intensiverem Gebrauch des Gerätes regelmäßig erneuert werden.

Die **SAFEX®-NEBELFLUID-Druckgaspackung** steht unter Druck. **Das Druckgas ist unbrennbar, ungiftig und umweltverträglich**. Kurioserweise muss die Dose bzw. das Gas nach internationalem Transportrecht als „erstickend“ bezeichnet werden, obwohl es ein natürlicher Bestandteil der Luft ist.

NEBELFLUIDDOSE

Sie darf auch wie jede **Spraydose nicht über 50°C erwärmt, nicht gewaltsam geöffnet und nicht verbrannt werden** und sollte nur entleert im Hausmüll entsorgt werden.

Die Batterie des **FlowMarkers®** ist eine versiegelte Blei-Säuregel-Batterie. Sie ist den Vorschriften entsprechend (in Deutschland: BattG) zu entsorgen, wenn sie nicht mehr verwendungsfähig ist.

BATTERIE

- **Keinesfalls darf die Batterie geöffnet, verbrannt oder die Batteriepole kurzgeschlossen werden.**
- **Für den Fall, dass z. B. durch Bruch Säuregel aus der Batterie austritt, sind betroffene Körperpartien sofort mit reichlich Wasser abzuspuhlen, bei Augenkontakt ist nach dem sofortigen Ausspülen unverzüglich ein Arzt aufzusuchen.**

Während des Gebrauchs **muss** die Batterie mittels der Batteriefach-Sicherungsschraube **gegen Herausfallen geschützt** sein. (Siehe Abschnitt „B“ unter BATTERIE EINSETZEN)

Batterie **während des unbeaufsichtigten Transports** aus dem Gerät entnehmen! Batteriepole dabei nicht durch leitfähige Materialien kurzschließen, **BRANDGEFAHR!** (Batteriepole beim Transport ggf. abdecken bzw. abkleben).



„FREMDE“ FLUIDE + AN- DERE FEHL- BEHANDLUNGEN



Das Gerät nimmt ernsten Schaden, wenn andere Substanzen als **SAFEX®-FlowMarker®-NEBELFLUID** eingebracht werden. Auch andere Nebelflüssigkeiten (Aerosoldosen) von **SAFEX®** oder anderen Herstellern **sind ungeeignet**.

HINWEIS: Der Betrieb mit „fremden“ Flüssigkeiten oder ein Öffnen des Gerätes während der Garantiezeit bewirken ein sofortiges Erlöschen jeder Gewährleistung und der Haftung des Herstellers bzw. des Vertreibers.

Gerät daher **nicht unautorisiert öffnen, keine Gehäuseschrauben lösen**. Reparaturen nur durch autorisierte Service-Stellen durchführen lassen.

Beschädigte oder unvorschriftsmäßige Ladegeräte können zu Zerstörung der Batterie oder zu elektrischem Schlag mit tödlichem Ausgang führen, daher nur geprüfte und geeignete Ladevorrichtungen verwenden.

Nebel oder Applikationsrohr nicht in Körperöffnungen einbringen.

G OPTIONALES ZUBEHÖR

Alle **SAFEX®-FlowMarker®**-Geräte der **Baureihe II** (Blaue Aufschrift, blauer Nebelknopf) sind mit einer Fernsteuer- sowie einer Ladebuchse / Niederspannungseingangsbuchse ausgestattet.

Die folgenden **FlowMarker®-FERNSTEUERUNGEN** können so angeschlossen werden:

- **FlowMarker®-Kabelfernsteuerung, 10 m,**
einfache, jedoch robuste Kabelfernsteuerung mit hochflexiblen, dünnem Kabel mit dem durch Knopfdruck der Nebelvorgang aus der Ferne ausgelöst werden kann.
- **SAFEX® FM-Funkfernsteuerung, 30 m Reichweite,**
kleine, komfortable Funkfernsteuerung, bestehend aus Sender und Empfänger. Der Empfänger wird mittels **VELCRO™-Klebefunkten** abnehmbar am FlowMarker befestigt, der Handsender ermöglicht es, eines oder mehrere Geräte kabellos fernzusteuern. Die Fernsteuerung besitzt eine **Zulassung für den gesamten EU-Bereich**.
- **FM-HYDRA-SCHLAUCHSYSTEM®**, zur flexiblen Leitung des Nebels,
bestehend aus **FM-HYDRA®-SCHLAUCHVORSATZ**, Schlauch und weiterem Zubehör (siehe separates Informationsblatt)
- **FlowMarker®-Applikationsrohr-Verlängerung AR3, 75 cm lang**
Verlängerung zum Aufstecken auf das Applikationsrohr, um in schwierigen Positionen Nebel ausbringen zu können.
- **FM-HYDRA FLOWTRACER®, 75 cm lang (Nebelrechen)**
Verlängerungsrohr mit Bohrungen zur Erzeugung eines Nebelfadenvorhangs.
- **FlowMarker®-NETZKABEL, 10 m**
flexibles, dünnes Kabel zur dauernden Stromversorgung des **FlowMarker®** mittels des vorhandenen Netz-Ladegeräts.

H TECHNISCHE DATEN FLOWMARKER

BETRIEBSSPANNUNG	12 Volt DC aus interner Batterie
STROMAUFNAHME/LEISTUNG	Stromaufnahme: 3,4 A (im Heizbetrieb), Heizleistung 40 W - Absicherung intern: Sicherung 5 x 20 mm, 6,3 Amp. mittelträge
LADEGERÄT „INTERNATIONAL“	Steckernetzteil-Ladegerät für alle Spannungen weltweit, mit Steckadaptern für EU, GB, USA + Australien, CE + UL gelistet: 100 - 240 V AC / 50-60 Hz / 250 mA / 18 VA / Output: 12 V DC / 1 A / 12 VA
ABMESSUNGEN	Länge 210 mm ohne Applikator - mit Standard-Applikationsrohr 500 mm Breite 90 mm, Höhe mit Griff 135 mm
GEWICHT	2,7 kg mit Batterie und Applikationsrohr AR1
GEWICHT MIT KOFFER UND ZUBEHÖR	ca. 5,4 kg
BATTERIE	12 V - 2.1Ah /Blei/Säure-Gelakku, 20HR TYPE WP 1223 A
LADEZEIT BATTERIE	min. 2 Std. 80 % - 3 Std. 100%
BETRIEBSZEIT/ BATTERIE	bei ständig eingeschaltetem Gerät ca. 2 - 5 Stunden , abhängig von Dauer und Häufigkeit der Nebelerzeugung
„SPARMODUS“	circa 2 min. nach letzter Betätigung des Nebeltasters, 15 min andauernd
„SCHLAFMODUS“	circa 17 min. nach letzter Betätigung des Nebeltasters, 2 h andauernd
GERÄTE-SELBSTABSCHALTUNG	circa 2 h und 17 min nach letzter Betätigung des Nebeltasters.
AUFHEIZZEIT	max. 30 Sek. bei kaltem Gerät
BETRIEBSSTOFF	ausschließlich SAFEX®-FlowMarker®-NEBELFLUID (Druckgasdose)
TANKINHALT	ca. 18 ml
FLUIDVERBRAUCH	ca. 0,8 ml/min bei Dauernebelerzeugung
NEBELLEISTUNG	Tankinhalt reicht für ca. 21 min. Dauernebel oder für ca. 420 Nebelzyklen von ca. 3 sek. Dauer.
FLUIDDOSE	Druckgaspackung, klassifiziert nach UN 1950 DRUCKGASPACKUNG, erstickend , Inhalt 73 ml = 75 g, ausreichend für ca. 2000 Nebelzyklen zu je ca. 3 Sek.

OPTIONALES ZUBEHÖR, VERBRAUCHSMATERIAL UND ERSATZTEILE

(Siehe auch Kapitel G - Optionales Zubehör)

NEBELMITTEL	SAFEX®-FlowMarker®-NEBELFLUID in Druckgaspackung mit 72 ml
KONDENSATAUFNAHMERINGE	Packung mit 10 Stk. Typ KR 3 Packung mit 10 Stk. Typ KR 2
ERSATZFILTER	Packung mit 2 Filtern und 2 Dichtringen
ZUSATZLADEGERÄT „INTERNATIONAL“	Steckernetzteil-Ladegerät mit Ladeclip für Akku für alle Spannungen weltweit, mit Steckadaptern für EU, GB, USA + Australien, CE + UL gelistet! 100 - 240 V AC / 50-60 Hz / 250 mA / 18 VA / Output: 12 V DC / 1 A / 12 VA
RESERVEBATTERIE	Blei-/Gelakku Type LONG WP 1223 A / 12 V - 2.1 Ah (SAFEX® Qualitätskontrolliert)

